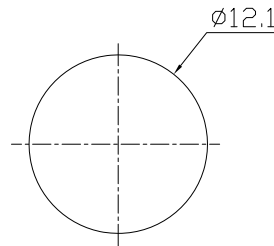
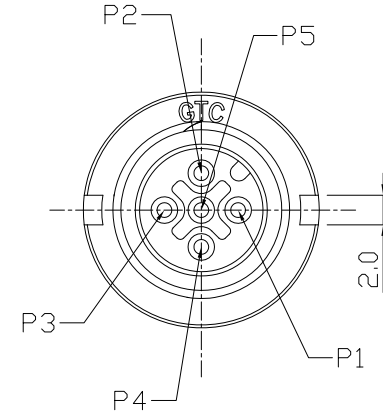
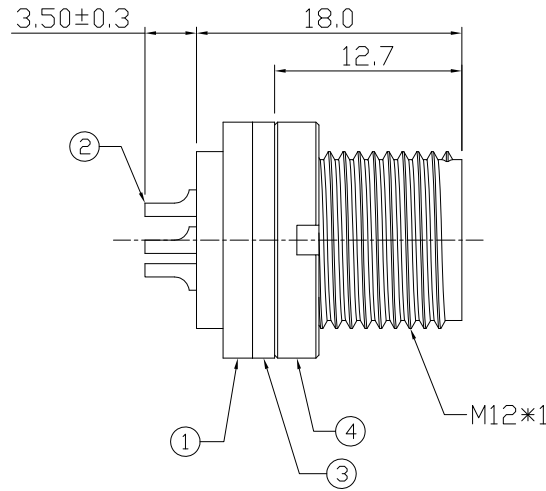
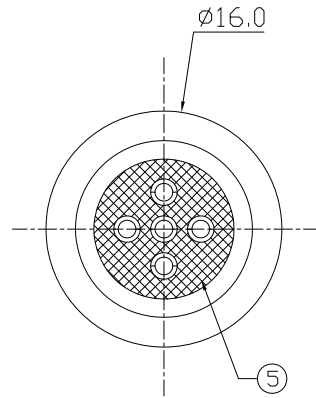


Notes: (Unless Otherwise Specified)

1. Waterproof Rate : IP68
2. Recommend Panel Thickness: 0.8 to 3.5mm
3. Recommend Torque: 9~10 Kgf-cm
4. RoHS Compliant.

REV	ECN#	DESCRIPTION OF REVISION	DRAW BY DATE	CHECK BY DATE	APPROVE BY DATE
A0			Jenny 06/14/23	Hank 06/14/23	Lucas 06/14/23



Recommend Panel Cut-Out

GTC  
DOC.CENTER.ISSUE  
JUN.14.2023  
ONLY FOR  
RELEASE

Item	Part Name	Material / Finish	Q'ty
5	Glue	Epoxy Color: Black	
4	Spanner Nut	Thermoplastic Color: Black	1
3	Gasket	NBR Color: Black	1
2	Contacts	Copper Alloy Finish: Au Plated	5
1	Housing	Thermoplastic Color: Black	1

TITLE						DRAWING NUMBER			REV.
M12 A-Coding Plastic 4A 5P Panel Male Solder With Spanner Nut						GT134110-02050(S)			A0
THIRD ANGLE PROJECTION	SIZE	SCALE	DRAW / DATE	CHECK / DATE	APPROVE / DATE	TOLERANCES	UNIT	SHEET	
	B	1:1	Jenny 06/14/23	Hank 06/14/23	Lucas 06/14/23	X.X ± 0.5 X.XX ± 0.2	mm	1/1	
						X.XXX ± 0.05 ANGLES ± 1°			

GT Contact CO.,LTD

NOTICE OF PROPRIETARY PROPERTY:  
THE INFORMATION CONTAINED HEREIN IS THE PROPRIETARY PROPERTY OF GT Contact CO.,LTD THE POSSESSOR AGREES TO THE FOLLOWING:  
(i) TO MAINTAIN THIS DOCUMENT IN CONFIDENCE  
(ii) NOT TO REPRODUCE OR COPY IT  
(iii) NOT TO REVEAL OR PUBLISH IT IN WHOLE OR PART  
(iv) ALL RIGHTS RESERVED