

1

2

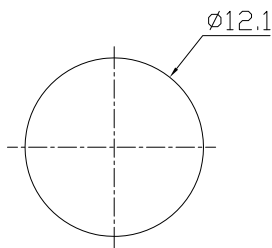
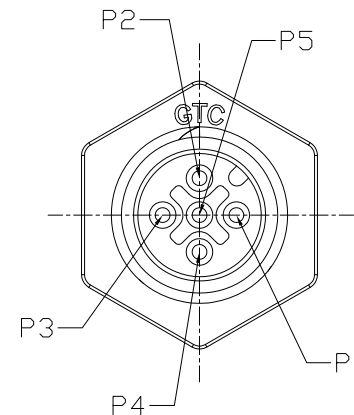
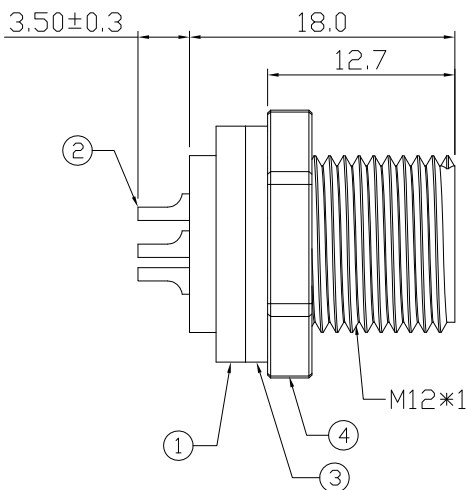
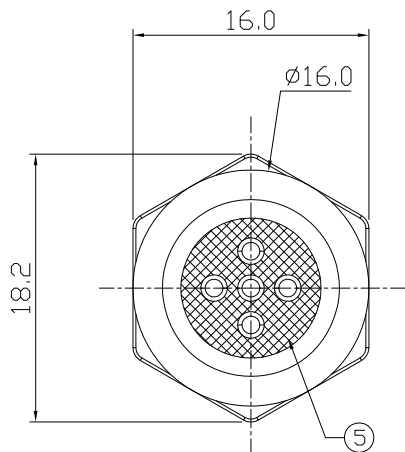
3

4

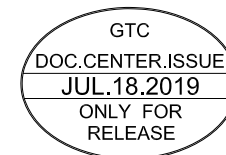
Notes: (Unless Otherwise Specified)

- 1. WaterProof Rate : IP68
- 2. Recommend Panel Thickness: 0.8 to 3.5mm
- 3. Recommend Torque: 9~10 Kgf-cm
- 4. RoHS Compliant.

REV	ECN#	DESCRIPTION OF REVISION	DRAW BY DATE	CHECK BY DATE	APPROVE BY DATE
01			Lucas 07/18/19	Lucas 07/18/19	Ray 07/18/19



Recommend Panel Cut-Out



5	Glue	Epoxy Color: Black	
4	Hex Nut	Thermoplastic Color: Black	1
3	Gasket	NBR Color: Black	1
2	Contacts	Copper Alloy Finish: Au Plated	5
1	Housing	Thermoplastic Color: Black	1
Item	Part Name	Material / Finish	Q'ty

TITLE						DRAWING NUMBER			REV.
M12 A-Coding Plastic 4A 5P Panel Male Solder						GT134110-02050			01
	B	1:1	Lucas 07/18/19	Lucas 07/18/19	Ray 07/18/19	X.X ± 0.5 X.XX ± 0.2	X.XXX ± 0.05 ANGLES ± 1°	mm	1/1
THIRD ANGLE PROJECTION	SIZE	SCALE	DRAW / DATE	CHECK / DATE	APPROVE / DATE	TOLERANCES		UNIT	SHEET

GT Contact CO.,LTD

NOTICE OF PROPRIETARY PROPERTY:

THE INFORMATION CONTAINED HEREIN IS THE PROPRIETARY PROPERTY OF GT Contact CO.,LTD THE POSSESSOR AGREES TO THE FOLLOWING:

(a) TO MAINTAIN THIS DOCUMENT IN CONFIDENCE
 (b) NOT TO REPRODUCE OR COPY IT
 (c) NOT TO REVEAL OR PUBLISH IT IN WHOLE OR PART
 (d) ALL RIGHTS RESERVED

1

2

3

4