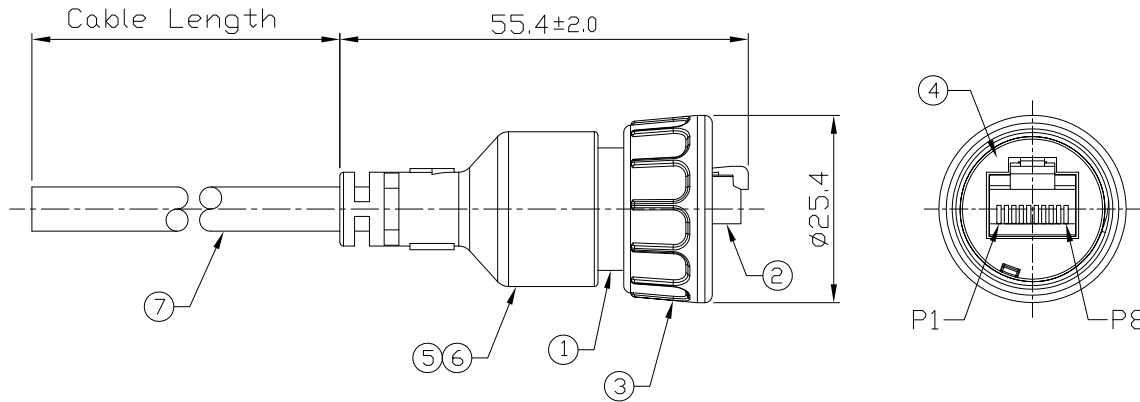


Notes: (Unless Otherwise Specified)

1. Waterproof Rate: IP67.
2. RoHS Compliance.

REV	ECN#	DESCRIPTION OF REVISION	DRAW BY DATE	CHECK BY DATE	APPROVE BY DATE
A1	ECN-200814	Cable Add Drain Wire.	Aileen 08/17/20	Lucas 08/17/20	Ray 08/17/20



GTC
DOC.CENTER.ISSUE
AUG.18.2020
ONLY FOR
RELEASE



Wiring Diagram

GT127320-08-10	10000 mm	±500
GT127320-08-09	9000 mm	±450
GT127320-08-08	8000 mm	±400
GT127320-08-07	7000 mm	±350
GT127320-08-06	6000 mm	±300
GT127320-08-05	5000 mm	±250
GT127320-08-04	4000 mm	±200
GT127320-08-03	3000 mm	±150
GT127320-08-02	2000 mm	±100
GT127320-08-01	1000 mm	±50
GT127320-08-Z5	500 mm	±40
Part No.	Cable Length	Tol.

Item	Part Name	Material / Finish	Q'ty
7	Cable	UL2835 24AWG*4P+Al/My+D+Jacket (UV) Color: Black,OD=6.0mm	1
6	Over Mold	PVC Color: Black	1
5	Inner Mold	Thermal Plastic Color: White	1
4	Rubber Pad	Silicone Color: Black	1
3	Screw Nut	Thermal Plastic Color: Black	1
2	RJ45 Plug	Housing: Thermal Plastic, Color:Clean Contacts: Copper Alloy, Finish: Au Plated	1
1	Housing	Thermal Plastic Color: Black	1

TITLE						DRAWING NUMBER			REV.
RJ45 Plastic C3 Non-Shielded Cable End Plug Screw With CAT 5E (UTP)						GT127320-08-XX			A1
THIRD ANGLE PROJECTION	SIZE	SCALE	DRAW / DATE	CHECK / DATE	APPROVE / DATE	TOLERANCES	UNIT	SHEET	
	B	1:1	Joyce 05/24/11	Lucas 05/24/11	Ray 05/24/11	X.X ± 0.5 X.XX ± 0.2	mm	1/1	
						X.XXX ± 0.05 ANGLES ± 1°			

GT Contact CO.,LTD

NOTICE OF PROPRIETARY PROPERTY:
THE INFORMATION CONTAINED HEREIN IS THE PROPRIETARY PROPERTY OF GT Contact CO.,LTD THE POSSESSOR AGREES TO THE FOLLOWING:
(a) TO MAINTAIN THIS DOCUMENT IN CONFIDENCE
(b) NOT TO REPRODUCE OR COPY IT
(c) NOT TO REVEAL OR PUBLISH IT IN WHOLE OR PART
(d) ALL RIGHTS RESERVED