

1

2

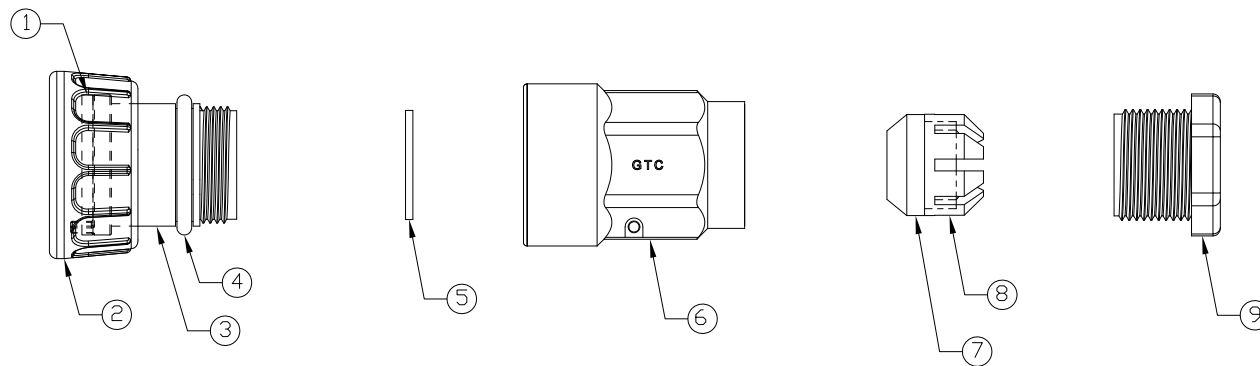
3

4

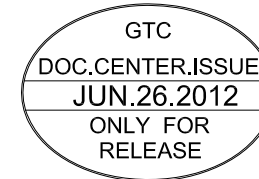
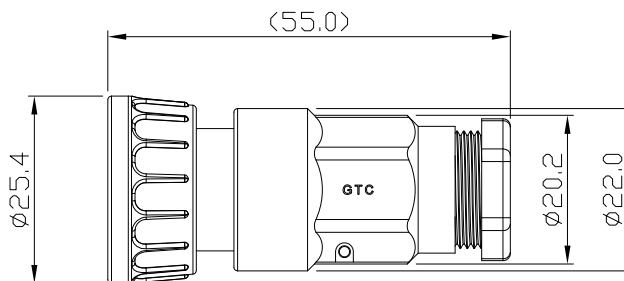
### Notes: (Unless Otherwise Specified)

1. Waterproof Rate: IP67.
2. Suitable Cable  $\varnothing$ D=4.0mm To 6.0 mm.
3. Recommend Cover Torque: 6~7 Kgf-cm.
4. Recommend Gland Nut Torque: 9~10 Kgf-cm.
5. RoHS Compliant.

REV	ECN#	DESCRIPTION OF REVISION	DRAW BY DATE	CHECK BY DATE	APPROVE BY DATE
A1	ECN-120615	Modify Drawing	Joyce 06/26/12	Lucas 06/26/12	Ray 06/26/12



9	Gland Nut	Thermoplastic Color: Black	1
8	Cage	Thermoplastic Color: White	1
7	Gland	Silicone Color: Green	1
6	Cover	Thermoplastic Color: Black	1
5	Gasket	Silicone Color: Black	1
4	O-Ring	Silicone Color: Red	1
3	Housing	Thermoplastic Color: Black	1
2	Screw Nut	Thermoplastic Color: Black	1
1	Rubber Pad	Silicone Color: Black	1
Item	Part Name	Material / Finish	Q'ty



TITLE						DRAWING NUMBER			REV.		
RJ45 Plastic C3 Field Installable Cable End Screw W/O Plug						GT125350-00			A1		
	B	1:1	Edwin 03/15/10	Ray 03/15/10	Ray 03/15/10	X.X X.XX	$\pm 0.5$ $\pm 0.2$	X.XXX ANGLES	$\pm 0.05$ $\pm 1^\circ$	mm	1/1
THIRD ANGLE PROJECTION	SIZE	SCALE	DRAW / DATE	CHECK / DATE	APPROVE / DATE	TOLERANCES			UNIT	SHEET	

GT Contact CO.,LTD

NOTICE OF PROPRIETARY PROPERTY:

THE INFORMATION CONTAINED HEREIN IS THE PROPRIETARY PROPERTY OF GT Contact CO.,LTD THE POSSESSOR AGREES TO THE FOLLOWING:

(i) TO MAINTAIN THIS DOCUMENT IN CONFIDENCE

(ii) NOT TO REPRODUCE OR COPY IT

(iii) NOT TO REVEAL OR PUBLISH IT IN WHOLE OR PART

(iv) ALL RIGHTS RESERVED

1

2

3

4