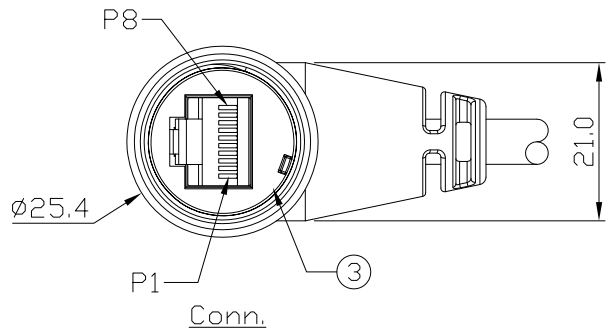
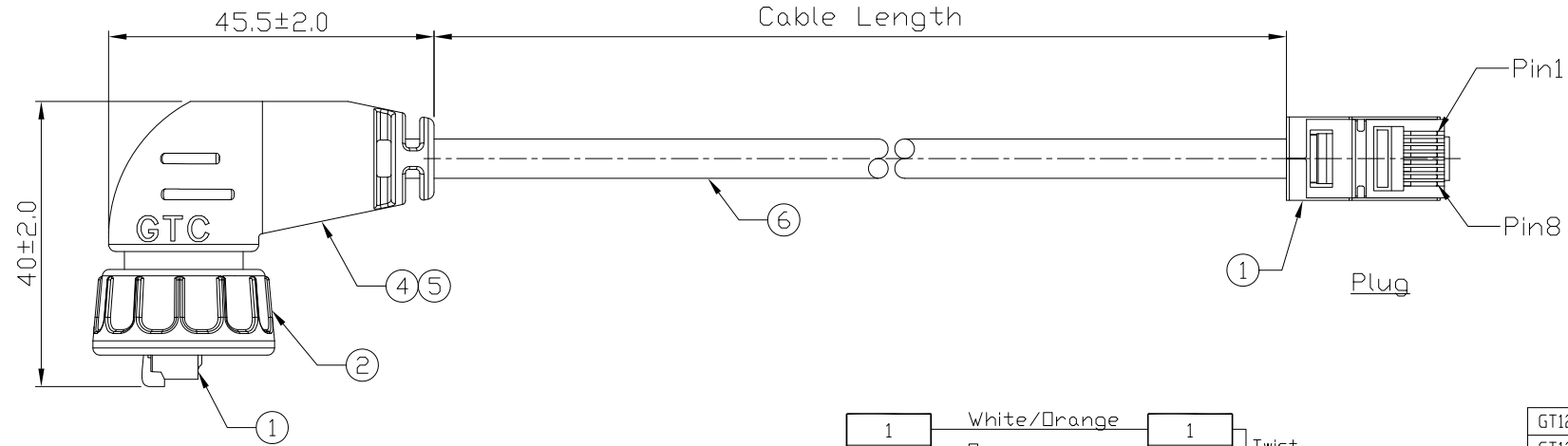


Notes: (Unless Otherwise Specified)

1. Waterproof Rate: IP67
2. RoHS Compliant

REV	ECN#	DESCRIPTION OF REVISION	DRAW BY DATE	CHECK BY DATE	APPROVE BY DATE
01			Jenny 02/25/22	Lucas 02/25/22	Ray 02/25/22



GT125325-06-10	10000 mm	+500
GT125325-06-09	9000 mm	+450
GT125325-06-08	8000 mm	+400
GT125325-06-07	7000 mm	+150
GT125325-06-06	6000 mm	+150
GT125325-06-05	5000 mm	+150
GT125325-06-04	4000 mm	+150
GT125325-06-03	3000 mm	+100
GT125325-06-02	2000 mm	+100
GT125325-06-01	1000 mm	+50
GT125325-06-Z9	900 mm	+50
GT125325-06-Z8	800 mm	+50
GT125325-06-Z7	700 mm	+50
GT125325-06-Z6	600 mm	+50
GT125325-06-Z5	500 mm	+50
GT125325-06-Z4	400 mm	+50
GT125325-06-Z3	300 mm	+25
GT125325-06-Z2	200 mm	+25
Part No.	Cable Length	Tol.

3	Rubber Pad	Silicone Color: Black	1	6	Cable	CAT5E 24AWG*4P+AL/My+D Color: Black, DD=6.0mm	1
2	Screw Nut	Thermoplastic Color: Black	1	5	Over Mold	PVC Color: Black	1
1	RJ45 Plug	Housing: Thermoplastic, Color: Clear Contacts: Copper Alloy, Finish: Au Plated Shell: Cold Roll Steel, Finish: Ni Plated	2	4	Inner Mold	Thermoplastic Color: White or Black	1
Item	Part Name	Material / Finish	Q'TY	Item	Part Name	Material / Finish	Q'TY



TITLE						DRAWING NUMBER			REV.	
RJ45 Plastic C3 Shielded Cable End Plug Screw 90° With Cable						GT125325-06-XX			01	
	B	1:1	Jenny 02/25/22	Lucas 02/25/22	Ray 02/25/22	X.X ± 0.5 X.XX ± 0.2	X.XXX ± 0.05 ANGLES ± 1°	mm	1/1	
THIRD ANGLE PROJECTION	SIZE	SCALE	DRAW / DATE	CHECK / DATE	APPROVE / DATE	TOLERANCES		UNIT	SHEET	

GT Contact CO.,LTD

NOTICE OF PROPRIETARY PROPERTY:

THE INFORMATION CONTAINED HEREIN IS THE PROPRIETARY PROPERTY OF GT Contact CO.,LTD THE POSSESSOR AGREES TO THE FOLLOWING:

(a) TO MAINTAIN THIS DOCUMENT IN CONFIDENCE  
 (b) NOT TO REPRODUCE OR COPY IT  
 (c) NOT TO REVEAL OR PUBLISH IT IN WHOLE OR PART  
 (d) ALL RIGHTS RESERVED