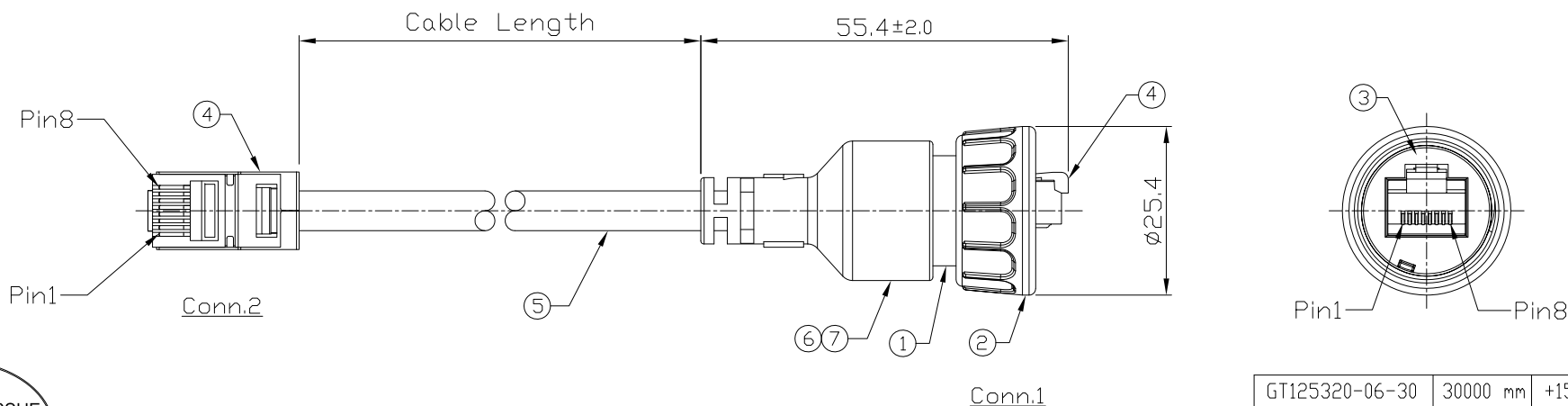


Notes: (Unless Otherwise Specified)
 1. Waterproof Rate: IP67.
 2. RoHS Compliant.

REV	ECN#	DESCRIPTION OF REVISION	DRAW BY DATE	CHECK BY DATE	APPROVE BY DATE
A0		Mass Production	Joyce 11/23/11	Lucas 11/23/11	Ray 11/23/11



GTC
 DOC.CENTER.ISSUE
 JAN.15.2018
 ONLY FOR
 RELEASE

Item	Part Name	Material / Finish	QTY
7	Over Mold	PVC Color: Black	1
6	Inner Mold	Thermoplastic Color: Black Or White	1
5	Cable	CAT5E 24AWG*4P+D+Al/My (UV) Color: Black, OD=6.0mm	1
4	RJ45 Plug	Housing: Thermoplastic, Color: Clean Contacts: Copper Alloy, Finish: Au Plated Shell: Cold Roll Steel, Finish: Ni Plated	2
3	Rubber Pad	Silicone Color: Black	1
2	Screw Nut	Thermoplastic Color: Black	1
1	Housing	Thermoplastic Color: Black	1

Conn.2	Color	Conn.1
1	White/Orange	1
2	Orange	2
3	White/Green	3
4	Blue	4
5	White/Blue	5
6	Green	6
7	White/Brown	7
8	Brown	8
Shell	Drain	Shell

Wiring Diagram

Part No.	Cable Length	Tol.
GT125320-06-30	30000 mm	+1500
GT125320-06-20	20000 mm	+1000
GT125320-06-16	16000 mm	+800
GT125320-06-10	10000 mm	+500
GT125320-06-09	9000 mm	+450
GT125320-06-08	8000 mm	+400
GT125320-06-07	7000 mm	+150
GT125320-06-06	6000 mm	+150
GT125320-06-05	5000 mm	+150
GT125320-06-04	4000 mm	+150
GT125320-06-03	3000 mm	+100
GT125320-06-02	2000 mm	+100
GT125320-06-01	1000 mm	+50
GT125320-06-Z5	500 mm	+50

GT Contact CO.,LTD

NOTICE OF PROPRIETARY PROPERTY:
 THE INFORMATION CONTAINED HEREIN IS THE PROPRIETARY PROPERTY OF GT Contact CO.,LTD THE POSSESSOR AGREES TO THE FOLLOWING:
 (i) TO MAINTAIN THIS DOCUMENT IN CONFIDENCE
 (ii) NOT TO REPRODUCE OR COPY IT
 (iii) NOT TO REVEAL OR PUBLISH IT IN WHOLE OR PART
 (iv) ALL RIGHTS RESERVED

TITLE						DRAWING NUMBER			REV.
RJ45 Plastic C3 Shielded Cable End Plug Screw With Shielded Plug						GT125320-06-XX			A0
THIRD ANGLE PROJECTION	SIZE	SCALE	DRAW / DATE	CHECK / DATE	APPROVE / DATE	TOLERANCES	UNIT	SHEET	
DD NOT SCALE DRAWINGS	B	1:1	Joyce 11/23/11	Lucas 11/23/11	Ray 11/23/11	X.X ± 0.5 X.XX ± 0.2	X.XXX ± 0.05 ANGLES ± 1°	mm 1/1	