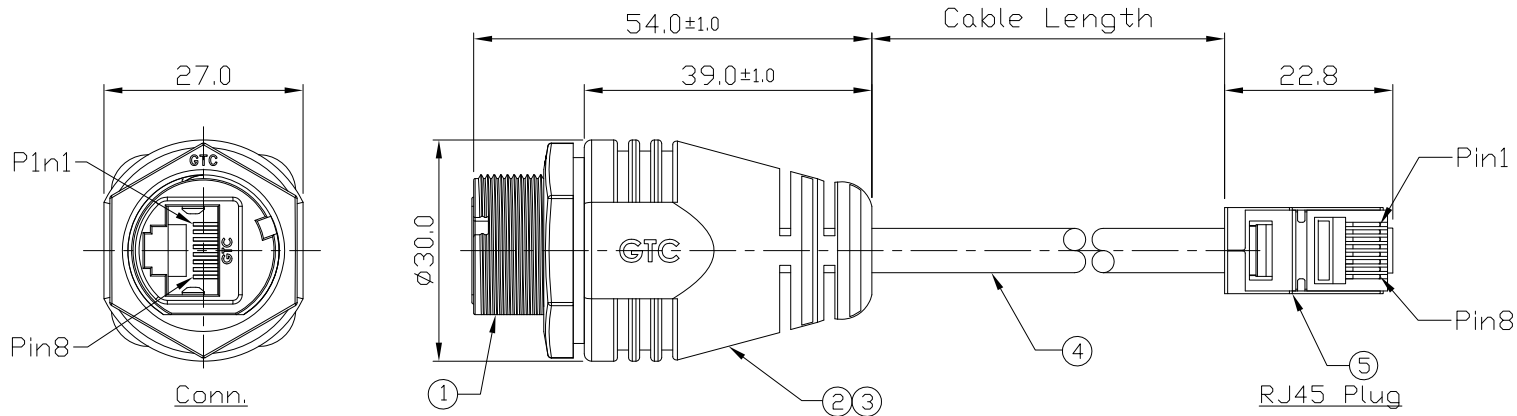


Notes: (Unless Otherwise Specified)

1. Waterproof Rate: IP67.
2. Recommend Panel Thickness: 0.8 to 4.0 mm.
3. Recommend Torque: 14.0~15.0 Kgf-cm.
4. Mating Cap P/N: GT1C5331X2.
5. RoHS & REACH Compliant.

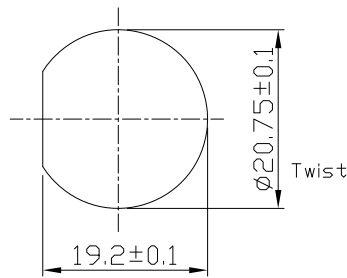
REV	ECN#	DESCRIPTION OF REVISION	DRAW BY DATE	CHECK BY DATE	APPROVE BY DATE
A0		Mass Production	Joyce 09/30/16	Lucas 09/30/16	Ray 09/30/16



GTC  
DOC.CENTER.ISSUE  
OCT.05.2016  
ONLY FOR  
RELEASE

Part No.	Cable Length	Tol.
GT125310-0A-10	10000 mm	+500
GT125310-0A-09	9000 mm	+450
GT125310-0A-08	8000 mm	+400
GT125310-0A-07	7000 mm	+150
GT125310-0A-06	6000 mm	+150
GT125310-0A-05	5000 mm	+150
GT125310-0A-04	4000 mm	+150
GT125310-0A-03	3000 mm	+100
GT125310-0A-02	2000 mm	+100
GT125310-0A-01	1000 mm	+50
GT125310-0A-Z9	900 mm	+50
GT125310-0A-Z8	800 mm	+50
GT125310-0A-Z7	700 mm	+50
GT125310-0A-Z6	600 mm	+50
GT125310-0A-Z5	500 mm	+50
GT125310-0A-Z4	400 mm	+50
GT125310-0A-Z3	300 mm	+25
GT125310-0A-Z2	200 mm	+25
GT125310-0A-Z1	100 mm	+25

Item	Part Name	Material / Finish	Qty
5	RJ45 Plug	Housing: Thermoplastic, Color: Clear Contacts: Copper Alloy, Finish: Au Plated Shell: Cold Roll Steel, Finish: Ni Plated	1
4	Cable	CAT6 26AWG*4P+Al/My+D Color: Black, OD=6.0mm	1
3	Over Mold	PVC Color: Black	1
2	Inner Mold	Thermoplastic Color: White	1
1	RJ45 Plastic C3 Shielded Panel Jack Screw With Cable + RJ Plug	GT Contact P/N: GT125300-03-XX	1



Wiring Diagram

GT Contact CO.,LTD

NOTICE OF PROPRIETARY PROPERTY:  
THE INFORMATION CONTAINED HEREIN IS THE PROPRIETARY PROPERTY OF GT Contact CO.,LTD THE POSSESSOR AGREES TO THE FOLLOWING:  
(a) TO MAINTAIN THIS DOCUMENT IN CONFIDENCE  
(b) NOT TO REPRODUCE OR COPY IT  
(c) NOT TO REVEAL OR PUBLISH IT IN WHOLE OR PART  
(d) ALL RIGHTS RESERVED

TITLE						DRAWING NUMBER			REV.
RJ45 Plastic C3 Shielded Cable To Cable Jack Screw With CAT6 Cable + RJ Plug						GT125310-0A-XX			A0
THIRD ANGLE PROJECTION	SIZE	SCALE	DRAW / DATE	CHECK / DATE	APPROVE / DATE	TOLERANCES		UNIT	SHEET
DD NOT SCALE DRAWINGS	B	1:1	Joyce 09/30/16	Lucas 09/30/16	Ray 09/30/16	X.X ± 0.5 X.XX ± 0.2	X.XXX ± 0.05 ANGLES ± 1°	mm	1/1