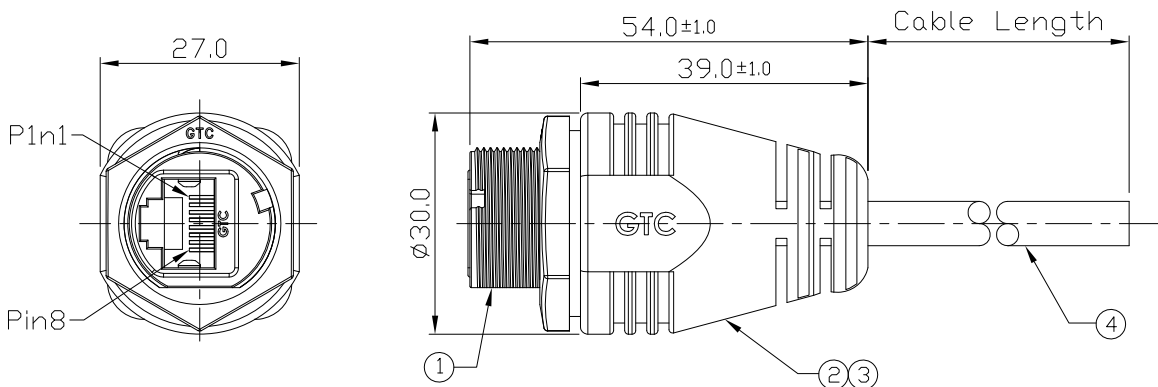


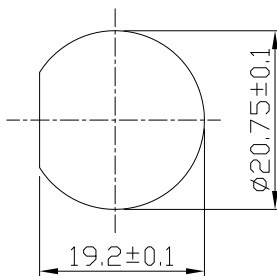
Notes: (Unless Otherwise Specified)

- 1. Waterproof Rate : IP67.
- 2. Recommend Panel Thickness : 0.8 to 4.0 mm.
- 3. Recommend Torque: 6~7 Kgf-cm.
- 4. Mating Cap P/N :GT1C5331X2.
- 5. RoHS Compliant.

REV	ECN#	DESCRIPTION OF REVISION	DRAW BY DATE	CHECK BY DATE	APPROVE BY DATE
A1	ECN-120302	Redraw	Joyce 03/02/12	Lucas 03/02/12	Ray 03/02/12
A2	ECN-230405	Change The Same Cable Length Tol. As IPC620	Aileen 04/14/23	Lucas 04/14/23	Ray 04/14/23



GTC
DOC.CENTER.ISSUE
APR.14,2023
ONLY FOR
RELEASE



Recommend
Panel Cut-Out

Shell	Drain
8	Brown
7	White/Brown
6	Green
5	White/Blue
4	Blue
4	White/Green
3	Orange
2	White/Orange
1	

Wiring Diagram

Part No.	Cable Length	Tol.
GT125310-02-10	10000 mm	+500
GT125310-02-09	9000 mm	+450
GT125310-02-08	8000 mm	+400
GT125310-02-07	7000 mm	+150
GT125310-02-06	6000 mm	+150
GT125310-02-05	5000 mm	+150
GT125310-02-04	4000 mm	+150
GT125310-02-03	3000 mm	+100
GT125310-02-02	2000 mm	+100
GT125310-02-01	1000 mm	+50
GT125310-02-Z9	900 mm	+50
GT125310-02-Z8	800 mm	+50
GT125310-02-Z7	700 mm	+50
GT125310-02-Z6	600 mm	+50
GT125310-02-Z5	500 mm	+50
GT125310-02-Z4	400 mm	+50
GT125310-02-Z3	300 mm	+25
GT125310-02-Z2	200 mm	+25
GT125310-02-Z1	100 mm	+25

Item	Part Name	Material / Finish	Q'ty
4	Cable	CAT-5E 4PR*24AWG+Al/My+D(UV) OD=6.00mm, Color: Black	1
3	Over Mold	PVC Color: Black	1
2	Inner Mold	Thermoplastic Color: White	1
1	RJ45 Panel Connector	GT Contact P/N: GT125300-02-XX	1

GT Contact CO.,LTD

NOTICE OF PROPRIETARY PROPERTY:
THE INFORMATION CONTAINED HEREIN IS THE PROPRIETARY PROPERTY OF GT CONTACT CO.,LTD THE POSSESSOR AGREES TO THE FOLLOWING:
(a) TO MAINTAIN THIS DOCUMENT IN CONFIDENCE
(b) NOT TO REPRODUCE OR COPY IT
(c) NOT TO REVEAL OR PUBLISH IT IN WHOLE OR PART
(d) ALL RIGHTS RESERVED

TITLE						DRAWING NUMBER			REV.
RJ45 Plastic C3 Shielded Cable To Cable Jack Screw						GT125310-02-XX			A2
THIRD ANGLE PROJECTION	SIZE	SCALE	DRAW / DATE	CHECK / DATE	APPROVE / DATE	TOLERANCES	UNIT	SHEET	
	B	1:1	Vicky 04/12/11	Lucas 04/12/11	Ray 04/12/11	X.X ± 0.5 X.XX ± 0.2	X.XXX ± 0.05 ANGLES ± 1°	mm 1/1	