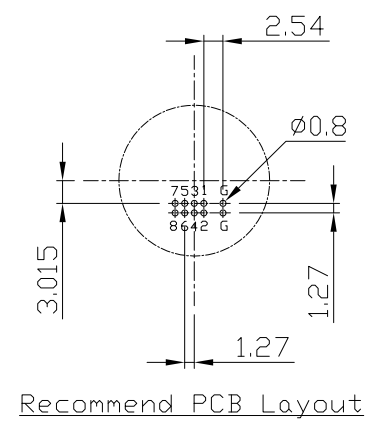
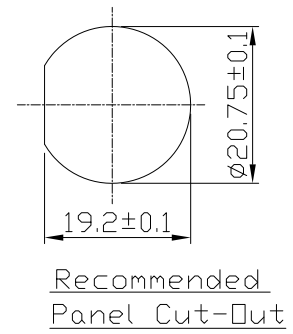
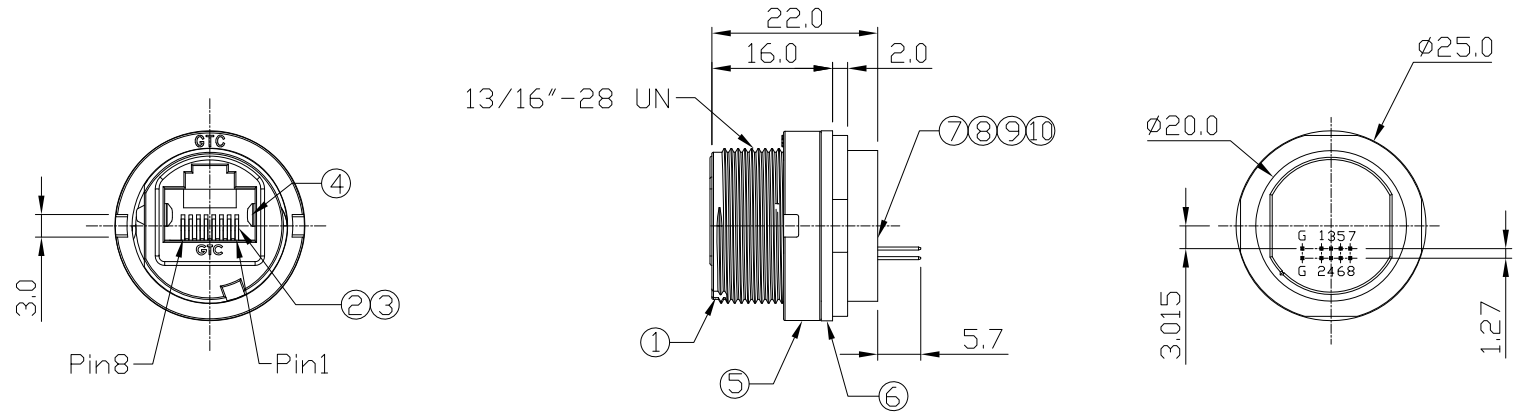


Notes: (Unless Otherwise Specified)

1. Waterproof Rate: IP67.
2. Recommend Panel Thickness: 0.8 to 3.0 mm
3. Recommend Torque: 14~15 kgf-cm
4. Mating Cap P/N: GT1C5331X2.
5. RoHS Compliant.

REV	ECN#	DESCRIPTION OF REVISION	DRAW BY DATE	CHECK BY DATE	APPROVE BY DATE
01			Lucas 10/19/22	Lucas 10/19/22	Ray 10/19/22



GTC
DOC.CENTER.ISSUE
OCT.19.2022
ONLY FOR
RELEASE

10	Pin Header	Housing: Thermoplastic; Color: Black Contacts: Copper Alloy; Finish: Au Plated	1
9	Glue	Epoxy Color: Black	
8	Holder	Silicone Color: Black	1
7	PCB	FR-4 Color: _____	1
6	Gasket	Silicone Color: Black	1
5	Spanner Nut	Thermoplastic Color: Black	1
4	Shielded Plate	Copper Alloy Finish: Ni Plated	2
3	Holder	Thermoplastic Color: Black	1
2	RJ45 Receptacle	Housing: Thermoplastic, Color: Gray Contacts: Copper Alloy, Finish: Au Plated	1
1	Housing	Thermoplastic Color: Black	1
Item	Part Name	Material / Finish	Qty

TITLE						DRAWING NUMBER			REV.	
RJ45 Plastic C3 Shielded Panel Jack Dip Screw With Spanner Nut						GT125300-D1(S)			01	
 THIRD ANGLE PROJECTION		SIZE	SCALE	DRAW / DATE	CHECK / DATE	APPROVE / DATE	TOLERANCES	UNIT	SHEET	
		B	1:1	Lucas 10/19/22	Lucas 10/19/22	Ray 10/19/22	X.X ± 0.5 X.XX ± 0.2	X.XXX ± 0.05 ANGLES ± 2°	mm	1/1

GT Contact CO.,LTD

NOTICE OF PROPRIETARY PROPERTY:

THE INFORMATION CONTAINED HEREIN IS THE PROPRIETARY PROPERTY OF GT CONTACT CO.,LTD THE POSSESSOR AGREES TO THE FOLLOWING:

(a) TO MAINTAIN THIS DOCUMENT IN CONFIDENCE
 (b) NOT TO REPRODUCE OR COPY IT
 (c) NOT TO REVEAL OR PUBLISH IT IN WHOLE OR PART
 (d) ALL RIGHTS RESERVED