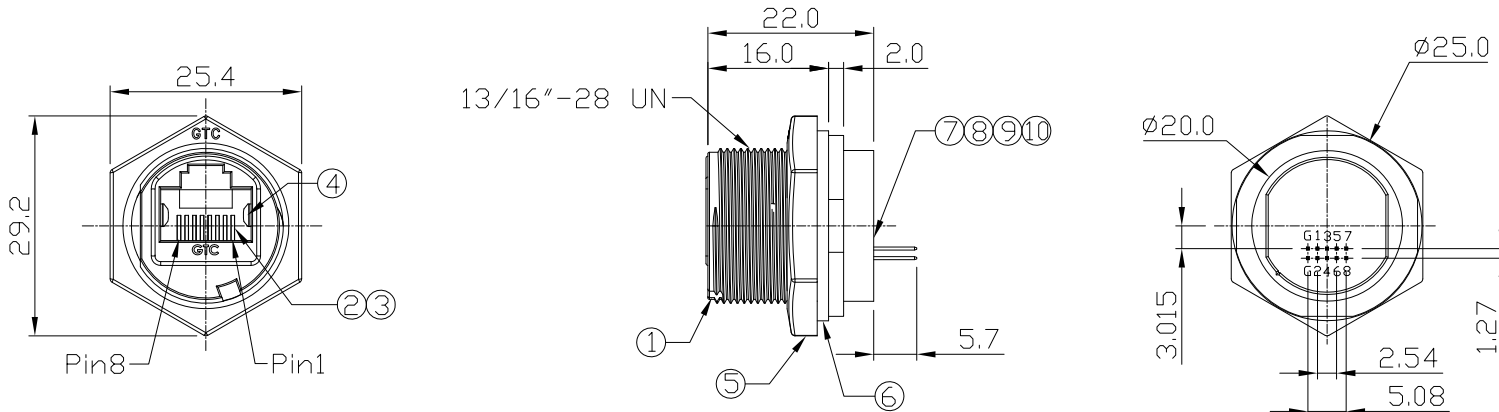


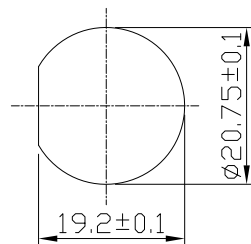
Notes: (Unless Otherwise Specified)

1. Waterproof Rate: IP67.
2. Recommend Panel Thickness: 0.8 to 4.0 mm
3. Recommend Torque: 14~15 kgf-cm
4. Mating Cap P/N: GT1C5331X2.
5. RoHS Compliant.

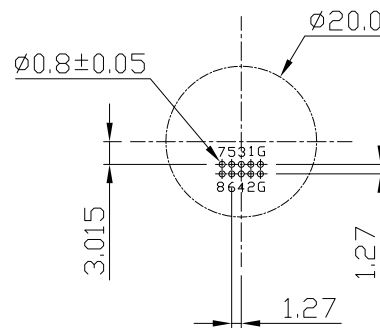
REV	ECN#	DESCRIPTION OF REVISION	DRAW BY DATE	CHECK BY DATE	APPROVE BY DATE
02	ECN-181218	Modify drawing	Whitney 12/27/18	Lucas 12/27/18	Ray 12/27/18



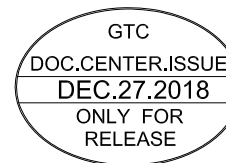
10	Pin Header	Housing: Thermoplastic; Color: Black Contacts: Copper Alloy; Finish: Au Plated	1
9	Glue	Epoxy Color: Black	
8	Holder	Silicone Color: Black	1
7	PCB	FR-4 Color: _____	1
6	Gasket	Silicone Color: Black	1
5	Hex Nut	Thermoplastic Color: Black	1
4	Shielded Plate	Copper Alloy Finish: Ni Plated	2
3	Holder	Thermoplastic Color: Black	1
2	RJ45 Receptacle	Housing: Thermoplastic, Color: Gray Contacts: Copper Alloy, Finish: Au Plated	1
1	Housing	Thermoplastic Color: Black	1
Item	Part Name	Material / Finish	Qty



Recommended Panel Cut-Out



Recommend PCB Layout



TITLE						DRAWING NUMBER			REV.
RJ45 Plastic C3 Shielded Panel Jack Dip Screw						GT125300-D0			02
THIRD ANGLE PROJECTION	SIZE	SCALE	DRAW / DATE	CHECK / DATE	APPROVE / DATE	TOLERANCES		UNIT	SHEET
THIRD ANGLE PROJECTION	B	1:1	Lucas 08/01/16	Ray 08/01/16	Ray 08/01/16	X.X ± 0.5 X.XX ± 0.2	X.XXX ± 0.05 ANGLES ± 2°	mm	1/1

GT Contact CO.,LTD

NOTICE OF PROPRIETARY PROPERTY:
THE INFORMATION CONTAINED HEREIN IS THE PROPRIETARY PROPERTY OF GT CONTACT CO.,LTD THE POSSESSOR AGREES TO THE FOLLOWING:
(a) TO MAINTAIN THIS DOCUMENT IN CONFIDENCE
(b) NOT TO REPRODUCE OR COPY IT
(c) NOT TO REVEAL OR PUBLISH IT IN WHOLE OR PART
(d) ALL RIGHTS RESERVED