

1

2

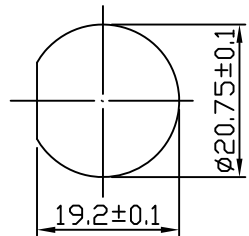
3

4

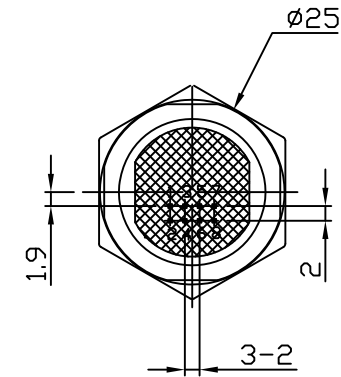
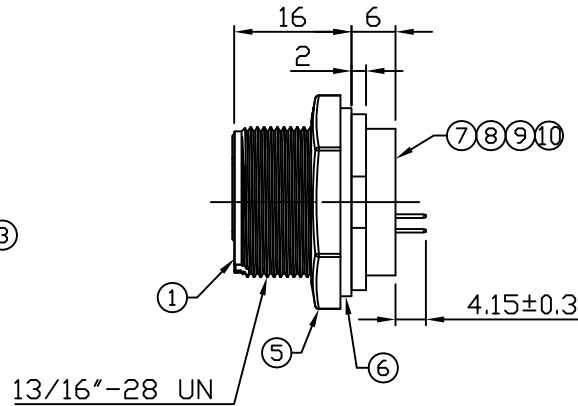
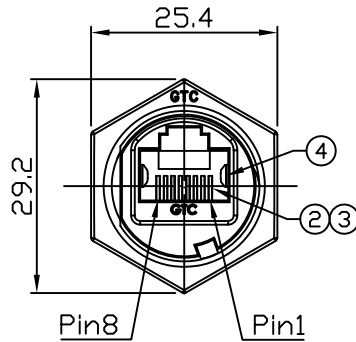
Notes: (Unless Otherwise Specified)

- 1. Waterproof Rate: IP67.
- 2. Recommend Panel Thickness: 0.8 to 4.0 mm.
- 3. Recommend Torque: 14~15 Kgf-cm.
- 4. Mating Cap P/N: GT1C5331X2.
- 5. RoHS Compliant.

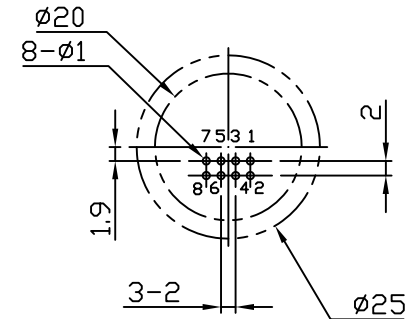
REV	ECN#	DESCRIPTION OF REVISION	DRAW BY DATE	CHECK BY DATE	APPROVE BY DATE
A0	ECN-210614	Modify drawing	Lucas 07/23/21	Lucas 07/23/21	Ray 07/23/21



Recommended Panel Cut-Out



10	Holder	Silicone Color: Black	1	△
9	Glue	Epoxy Color: Black		
8	Pin Header	Housing: Thermoplastic; Color: Black Contacts: Copper Alloy; Finish: Au Plated	1	
7	PCB	FR-4 Color: -	1	△
6	Gasket	Silicone Color: Black	1	
5	Hex Nut	Thermoplastic Color: Black	1	
4	EMI Shielded Plate	Copper Alloy Finish: Ni Plated	2	
3	Holder	Thermoplastic Color: Black	1	
2	RJ45 Receptacle	Housing: Thermoplastic; Color: Gray Contacts: Copper Alloy; Finish: Au Plated	1	
1	Housing	Thermoplastic Color: Black	1	
Item	Part Name	Material / Finish	Q'ty	



PCB LAYOUT TOP VIEW

GT Contact CO.,LTD

NOTICE OF PROPRIETARY PROPERTY:

THE INFORMATION CONTAINED HEREIN IS THE PROPRIETARY PROPERTY OF GT Contact CO.,LTD THE POSSESSOR AGREES TO THE FOLLOWING:

- ① TO MAINTAIN THIS DOCUMENT IN CONFIDENCE
- ② NOT TO REPRODUCE OR COPY IT
- ③ NOT TO REVEAL OR PUBLISH IT IN WHOLE OR PART
- ④ ALL RIGHTS RESERVED

TITLE						DRAWING NUMBER			REV.	
RJ45 Plastic C3 Panel Jack Dip 180° Screw						GT125300-11			A0	
	B	1:1	Lucas 04/15/19	Lucas 04/15/19	Ray 04/15/19	X.X ± 0.5	X.XXX ± 0.05	mm	1/1	
THIRD ANGLE PROJECTION	SIZE	SCALE	DRAW / DATE	CHECK / DATE	APPROVE / DATE	TOLERANCES		UNIT	SHEET	

1

2

3

4