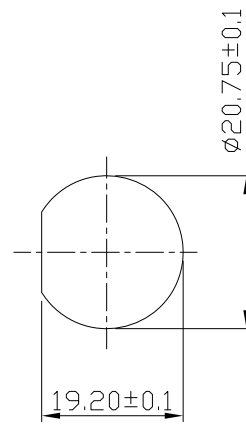
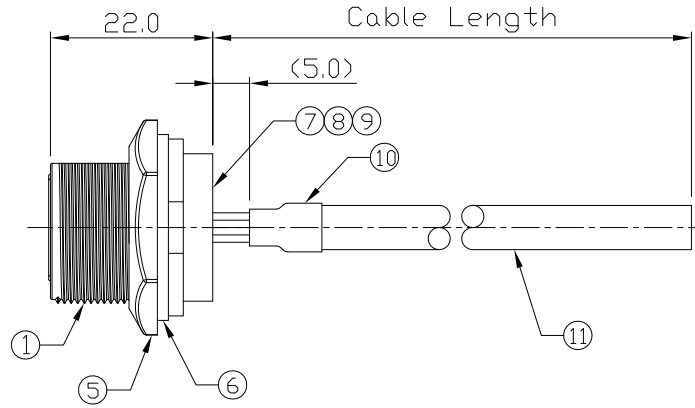
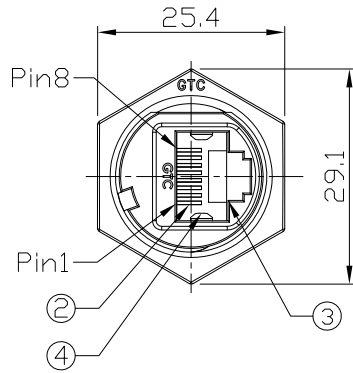


Notes: (Unless Otherwise Specified)

1. Waterproof Rate: IP67.
2. Recommend Panel Thickness: 0.8 to 4.0 mm.
3. Recommend Torque: 14~15 Kgf-cm.
4. Mating Cap P/N: GT1C5331X2.
5. RoHS Compliant.

REV	ECN#	DESCRIPTION OF REVISION	DRAW BY DATE	CHECK BY DATE	APPROVE BY DATE
A2	ECN-190115	Change mfg process to increase potting q'ty.	Whitney 01/22/19	Lucas 01/22/19	Ray 01/22/19



Recommended Panel Cut-Out

Color	Wiring Diagram
1	White/Orange
2	Orange
3	White/Green
4	Blue
5	White/Blue
6	Green
7	White/Brown
8	Brown
Shell	Drain

Part No.	Cable Length	Tol.
GT125300-09-02	2000 mm	+100
GT125300-09-01	1000 mm	±50
GT125300-09-Z9	900 mm	±40
GT125300-09-Z8	800 mm	±40
GT125300-09-Z7	700 mm	±40
GT125300-09-Z6	600 mm	±40
GT125300-09-Z5	500 mm	±40
GT125300-09-Z4	400 mm	±20
GT125300-09-Z3	300 mm	±20
GT125300-09-Z2	200 mm	±10
GT125300-09-Z1	100 mm	±10

Item	Part Name	Material / Finish	Q'ty
11	Cable	CAT5E 24AWG*4P+Al/My+D Color: Gray, OD=6.0mm	1
10	Shrink Tube	L=20mm Color: Black	1
9	Pin Header	Housing: Thermoplastic; Color: Black Contacts: Copper Alloy; Finish: Au Plated	1
8	Glue	Epoxy Color: Black	1
7	PCB	FR-4 Color: _____	2
6	Gasket	Silicone Color: Black	1
5	Hex Nut	Thermoplastic Color: Black	1
4	EMI Shielded Plate	Copper Alloy Finish: Ni Plated	2
3	Holder	Thermoplastic Color: Black	1
2	RJ45 Receptacle	Housing: Thermoplastic; Color: Gray Contacts: Copper Alloy; Finish: Au Plated	1
1	Housing	Thermoplastic Color: Black	1

TITLE						DRAWING NUMBER			REV.	
RJ45 Plastic C3 Shielded Panel Jack Screw PCB Inside With Cable						GT125300-09-XX			A2	
DD NOT SCALE DRAWINGS	B	1:1	Joyce 11/23/12	Lucas 11/23/12	Ray 11/23/12	X.X ± 0.5 X.XX ± 0.2	X.XXX ± 0.05 ANGLES ± 1°	mm	1/1	
THIRD ANGLE PROJECTION	SIZE	SCALE	DRAW / DATE	CHECK / DATE	APPROVE / DATE	TOLERANCES		UNIT	SHEET	

GT Contact CO.,LTD

NOTICE OF PROPRIETARY PROPERTY:
THE INFORMATION CONTAINED HEREIN IS THE PROPRIETARY PROPERTY OF GT Contact CO.,LTD THE POSSESSOR AGREES TO THE FOLLOWING:
(a) TO MAINTAIN THIS DOCUMENT IN CONFIDENCE
(b) NOT TO REPRODUCE OR COPY IT
(c) NOT TO REVEAL OR PUBLISH IT IN WHOLE OR PART
(d) ALL RIGHTS RESERVED