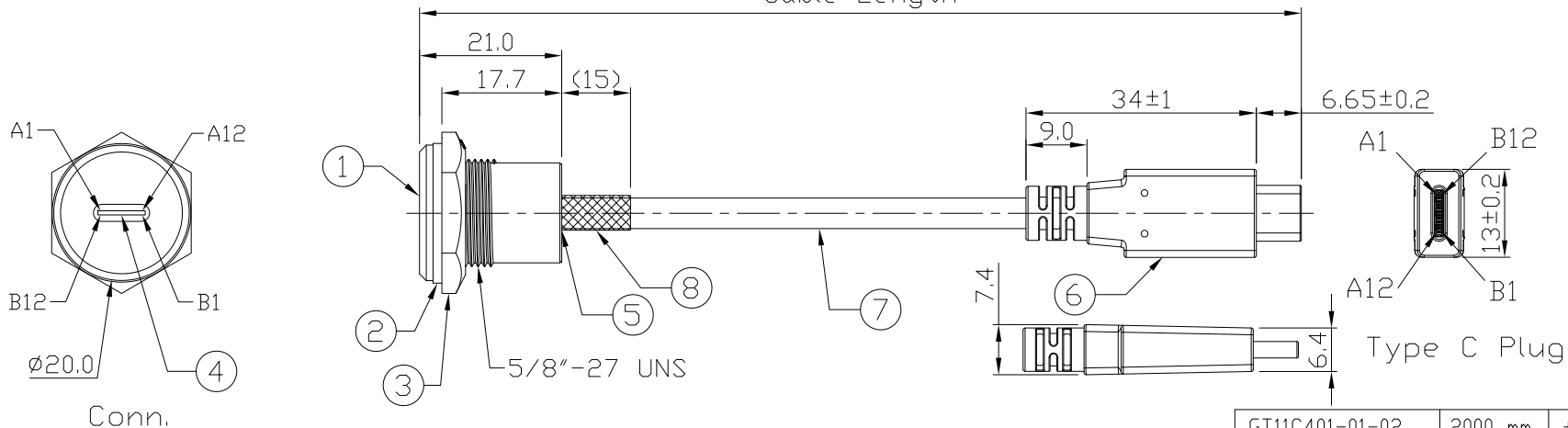


Notes: (Unless Otherwise Specified)

- 1. Waterproof Rate: IP67.
- 2. Recommend Panel Thickness: 0.8 to 3.0 mm.
- 3. Recommend Torque: 9~10 Kgf-cm.
- 4. RoHS Compliant.
- 5. Type C AB面接點需跟圖面一致.
- 6. UL Certification file #E364108.

REV	ECN#	DESCRIPTION OF REVISION	DRAW BY DATE	CHECK BY DATE	APPROVE BY DATE
A0			Hank 01/12/21	Lucas 01/12/21	Ray 01/12/21

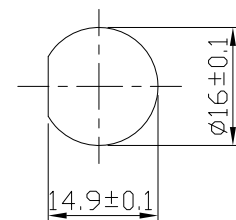
Cable Length



GTC  
DOC.CENTER.ISSUE  
JAN.13.2021  
ONLY FOR  
RELEASE

GT11C401-01-02	2000 mm	+100
GT11C401-01-01	1000 mm	+50
GT11C401-01-Z9	900 mm	+50
GT11C401-01-Z8	800 mm	+50
GT11C401-01-Z7	700 mm	+50
GT11C401-01-Z6	600 mm	+50
GT11C401-01-Z5	500 mm	+50
GT11C401-01-Z4	400 mm	+50
GT11C401-01-Z3	300 mm	+25
GT11C401-01-Z2	200 mm	+25
GT11C401-01-Z1	100 mm	+25
Part No.	Cable Length	Tol.

Item	Part Name	Material / Finish	Qty
8	Shrink Tube	L=20mm, Heat Shrink Tube With Adhesive Lined Color: Black	1
7	Cable	UL21572 (1P/32#+EAM)*4+(1P/32#+A)+(4C/32#+)+(1C/24#+)+2EAB 85% OD:4.8mm Black TPE Jacket.	1
6	Over Mold	PVC Color: Black	1
5	Glue	Epoxy Color: Black	
4	USB Type C 3.1	Housing: Thermoplastic, Color: Black Contacts: Copper Alloy, Finish: Au Plated Shell: Stainless Steel, Finish: Au Plated	2
3	Hex Nut	Thermoplastic Color: Black	1
2	Gasket	Silicone Color: Black	1
1	Housing	Thermoplastic Color: Black	1



Recommend Panel Cut-Out

TITLE						DRAWING NUMBER			REV.
USB 3.1 Type C Plastic C2 Panel Jack With Type C Plug						GT11C401-01-XX			A0
THIRD ANGLE PROJECTION	SIZE	SCALE	DRAW / DATE	CHECK / DATE	APPROVE / DATE	TOLERANCES		SHEET	
	B	1:1	Hank 01/12/21	Lucas 01/12/21	Ray 01/12/21	X.X ± 0.5 X.XX ± 0.2	X.XXX ± 0.05 ANGLES ± 1°	mm 1/2	

GT Contact CO.,LTD

NOTICE OF PROPRIETARY PROPERTY:  
THE INFORMATION CONTAINED HEREIN IS THE PROPRIETARY PROPERTY OF GT Contact CO.,LTD THE POSSESSOR AGREES TO THE FOLLOWING:  
(a) TO MAINTAIN THIS DOCUMENT IN CONFIDENCE  
(b) NOT TO REPRODUCE OR COPY IT  
(c) NOT TO REVEAL OR PUBLISH IT IN WHOLE OR PART  
(d) ALL RIGHTS RESERVED

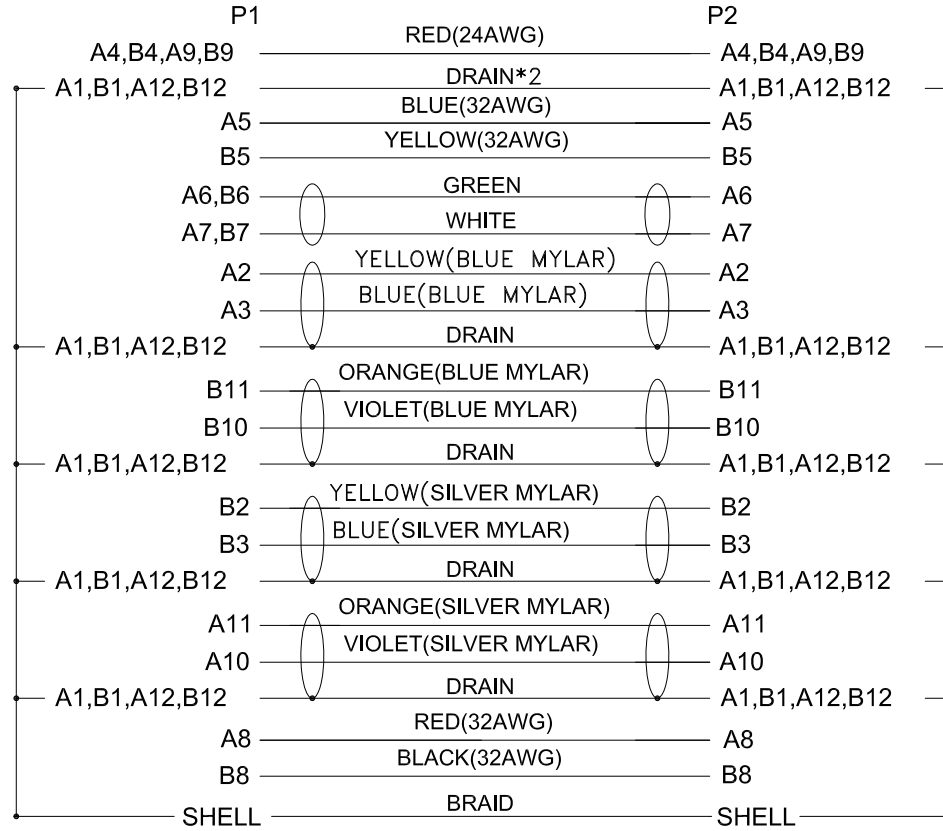
1

2

3

4

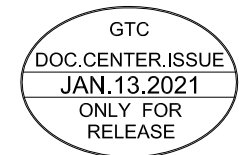
REV	ECN#	DESCRIPTION OF REVISION	DRAW BY DATE	CHECK BY DATE	APPROVE BY DATE
A0			Hank 01/12/21	Lucas 01/12/21	Ray 01/12/21



Conn.

Type C Plug

Wiring Diagram



GT Contact CO.,LTD

NOTICE OF PROPRIETARY PROPERTY:

THE INFORMATION CONTAINED HEREIN IS THE PROPRIETARY PROPERTY OF GT Contact CO.,LTD THE POSSESSOR AGREES TO THE FOLLOWING:

- (i) TO MAINTAIN THIS DOCUMENT IN CONFIDENCE
- (ii) NOT TO REPRODUCE OR COPY IT
- (iii) NOT TO REVEAL OR PUBLISH IT IN WHOLE OR PART
- (iv) ALL RIGHTS RESERVED

TITLE						DRAWING NUMBER			REV.	
USB 3.1 Type C Plastic C2 Panel Jack With Type C Plug						GT11C401-01-XX			A0	
	B	1:1	Hank 01/12/21	Lucas 01/12/21	Ray 01/12/21	X.X ± 0.5 X.XX ± 0.2	X.XXX ± 0.05 ANGLES ± 1°	mm	2/2	
THIRD ANGLE PROJECTION	SIZE	SCALE	DRAW / DATE	CHECK / DATE	APPROVE / DATE	TOLERANCES		UNIT	SHEET	

1

2

3

4