

1

2

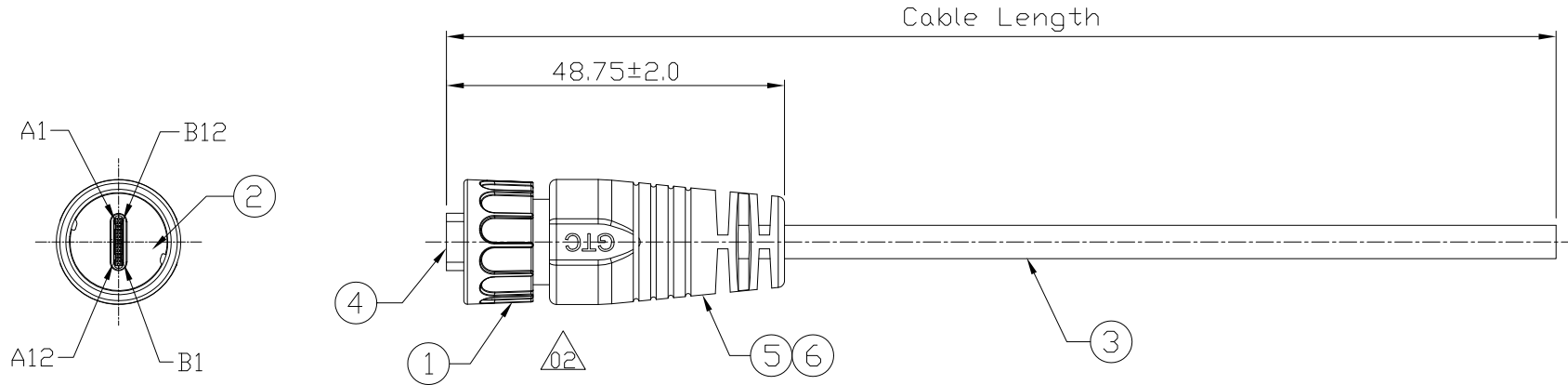
3

4

Notes: (Unless Otherwise Specified)

- 1. Waterproof Rate: IP67.
- 2. RoHS Compliant.
- 3. Type C AB面接點需跟圖面一致.
- 4. UL Certification file #E364108.

REV	ECN#	DESCRIPTION OF REVISION	DRAW BY DATE	CHECK BY DATE	APPROVE BY DATE
02	ECN-201015	Copper foil wrap => metal shell cover	Lucas 10/27/20	Lucas 10/27/20	Ray 10/27/20



GT11C220-03-03	3000 mm	+100
GT11C220-03-02	2000 mm	+100
GT11C220-03-01	1000 mm	+50
GT11C220-03-Z9	900 mm	+50
GT11C220-03-Z8	800 mm	+50
GT11C220-03-Z7	700 mm	+50
GT11C220-03-Z6	600 mm	+50
GT11C220-03-Z5	500 mm	+50
GT11C220-03-Z4	400 mm	+50
GT11C220-03-Z3	300 mm	+25
GT11C220-03-Z2	200 mm	+25
Part No.	Cable Length	Tol.

GTC
 DOC.CENTER.ISSUE
 AUG.09.2021
 ONLY FOR
 RELEASE

6	Over Mold	PVC Color: Black	1
5	Inner Mold	PVC Color: Black	1
4	USB Type C 3.1	Housing: Thermoplastic, Color: Black Contacts: Copper Alloy, Finish: Au Plated Shell: Stainless Steel, Finish: Au Plated	1
3	Cable	UL21572(1P/32#+EAM)*4+(1P/32#+A)+(4C/32#)+(1C/24#)+2EAB 85% OD:4.8mm BLACK TPE JACKET.	1
2	Rubber Pad	Silicone Color: Black	1
1	Lock Nut	Thermoplastic Color: Black	1
Item	Part Name	Material / Finish	Q'ty

TITLE						DRAWING NUMBER			REV.
USB 3.1 Type C Plastic C2 Cable End Plug Lock With Cable						GT11C220-03-XX			02
THIRD ANGLE PROJECTION	SIZE	SCALE	DRAW / DATE	CHECK / DATE	APPROVE / DATE	TOLERANCES	UNIT	SHEET	
THIRD ANGLE PROJECTION	B	1:1	Aileen 06/20/20	Lucas 06/20/20	Ray 06/20/20	X.X ± 0.5 X.XX ± 0.2	X.XXX ± 0.05 ANGLES ± 1°	mm 1/3	

GT Contact CO.,LTD

NOTICE OF PROPRIETARY PROPERTY:
 THE INFORMATION CONTAINED HEREIN IS THE PROPRIETARY PROPERTY OF GT Contact CO.,LTD THE POSSESSOR AGREES TO THE FOLLOWING:
 (i) TO MAINTAIN THIS DOCUMENT IN CONFIDENCE
 (ii) NOT TO REPRODUCE OR COPY IT
 (iii) NOT TO REVEAL OR PUBLISH IT IN WHOLE OR PART
 (iv) ALL RIGHTS RESERVED

1

2

3

4

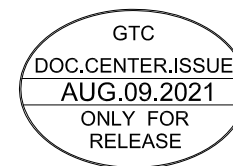
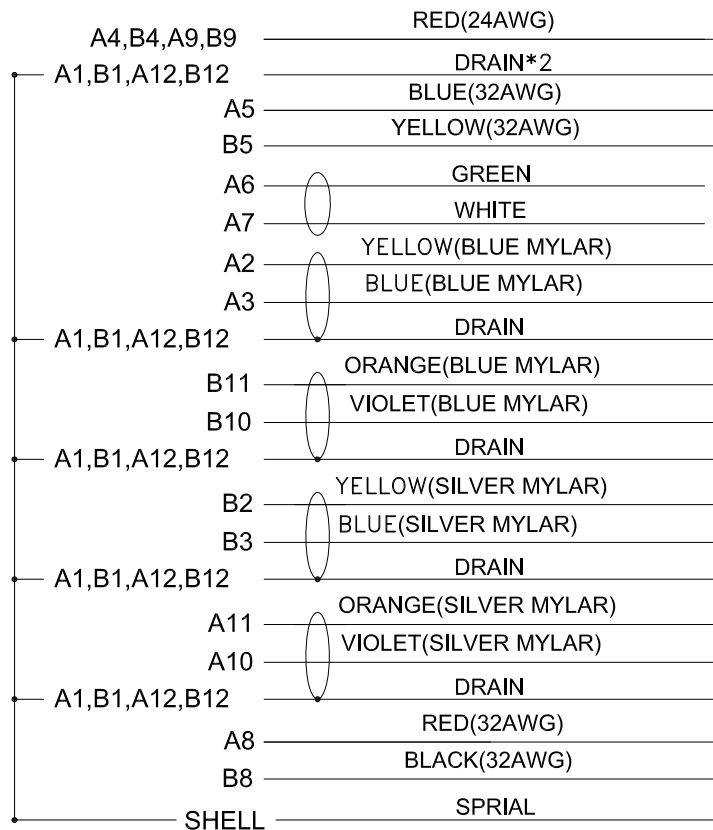
1

2

3

4

REV	ECN#	DESCRIPTION OF REVISION	DRAW BY DATE	CHECK BY DATE	APPROVE BY DATE
02	ECN-201015	Copper foil wrap => metal shell cover	Lucas 10/27/20	Lucas 10/27/20	Ray 10/27/20



Wiring Diagram

GT Contact CO.,LTD

NOTICE OF PROPRIETARY PROPERTY:
 THE INFORMATION CONTAINED HEREIN IS THE PROPRIETARY PROPERTY OF GT Contact CO.,LTD THE POSSESSOR AGREES TO THE FOLLOWING:
 (1) TO MAINTAIN THIS DOCUMENT IN CONFIDENCE
 (2) NOT TO REPRODUCE OR COPY IT
 (3) NOT TO REVEAL OR PUBLISH IT IN WHOLE OR PART
 (4) ALL RIGHTS RESERVED

TITLE USB 3.1 Type C Plastic C2 Cable End Plug Lock With Cable						DRAWING NUMBER GT11C220-03-XX			REV. 02
	B	1:1	Aileen 06/20/20	Lucas 06/20/20	Ray 06/20/20	X.X ± 0.5 X.XX ± 0.2	X.XXX ± 0.05 ANGLES ± 1°	mm	2/3
THIRD ANGLE PROJECTION	SIZE	SCALE	DRAW / DATE	CHECK / DATE	APPROVE / DATE	TOLERANCES		UNIT	SHEET

1

2

3

4

1

2

3

4

REV	ECN#	DESCRIPTION OF REVISION	DRAW BY DATE	CHECK BY DATE	APPROVE BY DATE
02	ECN-201015	Copper foil wrap => metal shell cover	Lucas 10/27/20	Lucas 10/27/20	Ray 10/27/20

*****CONSTRUCTION:**

1.CABLE:

* UL2725(1P/32#+EAM)*4+(1P/32#+A)+(4C/32#)+(1C/24#)+2EAB 85%
 OD:4.8mm BLACK TPE JACKET.

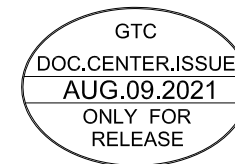
*****CONNECTOR:**

2.USB C/M:

* USB TYPE C MALE SOLDER TYPE,PCB WITHOUT IC,
 * PINS: 30u GOLD PLATED OVER NICKEL.
 * INSULATOR: BLACK THEMOPLASTIC 94V-0.
 * SHELL: STEEL WITH GOLD PALTED.
 * COVER: STEEL WITH NI PALTED.
 * CAPACITOR.
 * MOLDED: BLACK PVC 45P.

3.TEST:

* CT: 2 ohm IS: 5M ohm



GT Contact CO.,LTD

NOTICE OF PROPRIETARY PROPERTY:
 THE INFORMATION CONTAINED HEREIN IS THE PROPRIETARY PROPERTY OF GT Contact CO.,LTD THE POSSESSOR AGREES TO THE FOLLOWING:
 (i) TO MAINTAIN THIS DOCUMENT IN CONFIDENCE
 (ii) NOT TO REPRODUCE OR COPY IT
 (iii) NOT TO REVEAL OR PUBLISH IT IN WHOLE OR PART
 (iv) ALL RIGHTS RESERVED

TITLE USB 3.1 Type C Plastic C2 Cable End Plug Lock With Cable						DRAWING NUMBER GT11C220-03-XX			REV. 02	
	B	1:1	Aileen 06/20/20	Lucas 06/20/20	Ray 06/20/20	X.X ± 0.5 X.XX ± 0.2	X.XXX ± 0.05 ANGLES ± 1°	mm	3/3	
THIRD ANGLE PROJECTION	SIZE	SCALE	DRAW / DATE	CHECK / DATE	APPROVE / DATE	TOLERANCES		UNIT	SHEET	

1

2

3

4