

1

2

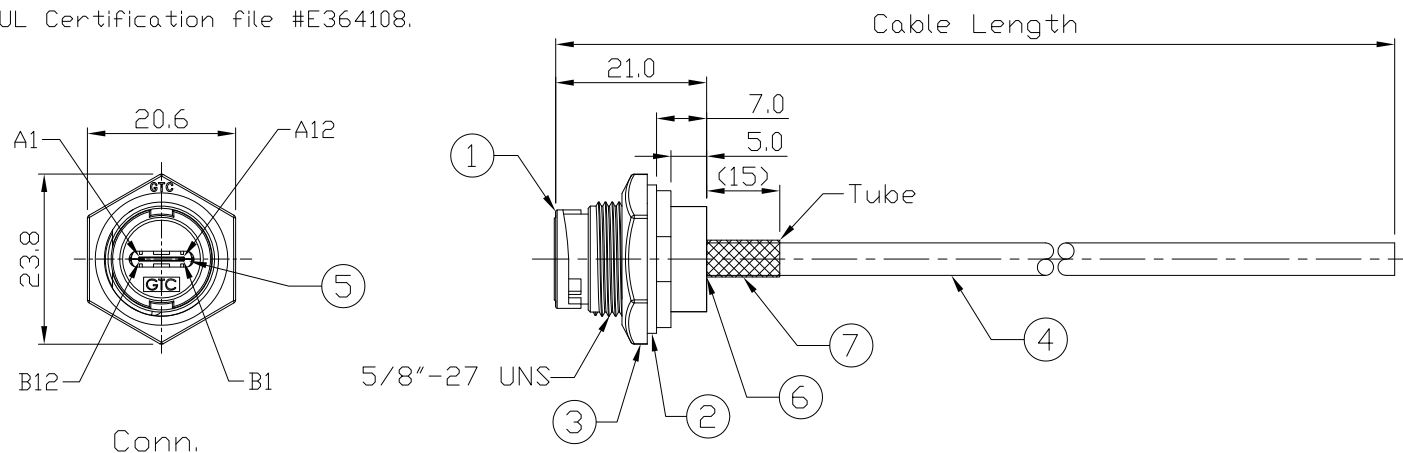
3

4

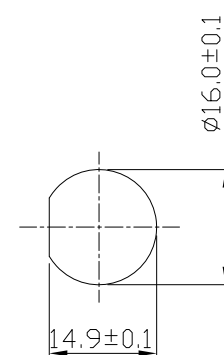
Notes: (Unless Otherwise Specified)

1. Waterproof Rate: IP67.
2. Recommend Panel Thickness: 0.8 to 3.0 mm.
3. Recommend Torque: 9~10 Kgf-cm.
4. Mating Cap P/N: GT1C1210X2.
5. RoHS Compliant.
6. Type C AB面接點需跟圖面一致.
7. UL Certification file #E364108.

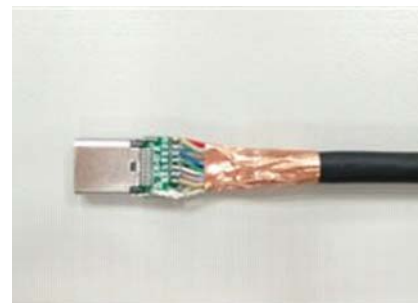
REV	ECN#	DESCRIPTION OF REVISION	DRAW BY DATE	CHECK BY DATE	APPROVE BY DATE
03	ECN-190847	Change Wire&Mylar Color	Lucas 08/30/19	Lucas 08/30/19	Ray 08/30/19



7	Shrink Tube	L=20mm, Heat Shrink Tube With Adhesive Lined Color: Black	1
6	Glue	Epoxy Color: Black	
5	USB Type C 3.1	Housing: Thermoplastic, Color: Black Contacts: Copper Alloy, Finish: Au Plated Shell: Stainless Steel, Finish: Au Plated	1
4	Cable	UL21572 (1P/32#+EAM)*4+(1P/32#+A)+(4C/32#+(1C/24#+2EAB 85% OD:4.8mm BLACK TPE JACKET.	1
3	Hex Nut	Thermoplastic Color: Black	1
2	Gasket	Silicone Color: Black	1
1	Housing	Thermoplastic Color: Black	1
Item	Part Name	Material / Finish	Q'ty



Recommend  
Panel Cut-Out



編織需跟雙面導電銅箔導通跟PCB板距離4~5mm

GT11C200-03-02	2000 mm	+100
GT11C200-03-01	1000 mm	+50
GT11C200-03-Z9	900 mm	+50
GT11C200-03-Z8	800 mm	+50
GT11C200-03-Z7	700 mm	+50
GT11C200-03-Z6	600 mm	+50
GT11C200-03-Z5	500 mm	+50
GT11C200-03-Z4	400 mm	+50
GT11C200-03-Z3	300 mm	+25
GT11C200-03-Z2	200 mm	+25
GT11C200-03-Z1	100 mm	+25
Part No.	Cable Length	Tol.

GT Contact CO.,LTD

NOTICE OF PROPRIETARY PROPERTY:

THE INFORMATION CONTAINED HEREIN IS THE PROPRIETARY PROPERTY OF GT CONTACT CO.,LTD THE POSSESSOR AGREES TO THE FOLLOWING:  
 (i) TO MAINTAIN THIS DOCUMENT IN CONFIDENCE  
 (ii) NOT TO REPRODUCE OR COPY IT  
 (iii) NOT TO REVEAL OR PUBLISH IT IN WHOLE OR PART  
 (iv) ALL RIGHTS RESERVED

TITLE						DRAWING NUMBER			REV.	
USB 3.1 Type C Plastic C2 Panel Jack Lock With Cable						GT11C200-03-XX			03	
	B	1:1	Hank 06/24/19	Lucas 06/24/19	Ray 06/24/19	XX ± 0.5	XXX ± 0.05	mm	1/3	
THIRD ANGLE PROJECTION	SIZE	SCALE	DRAW / DATE	CHECK / DATE	APPROVE / DATE	TOLERANCES		UNIT	SHEET	

1

2

3

4

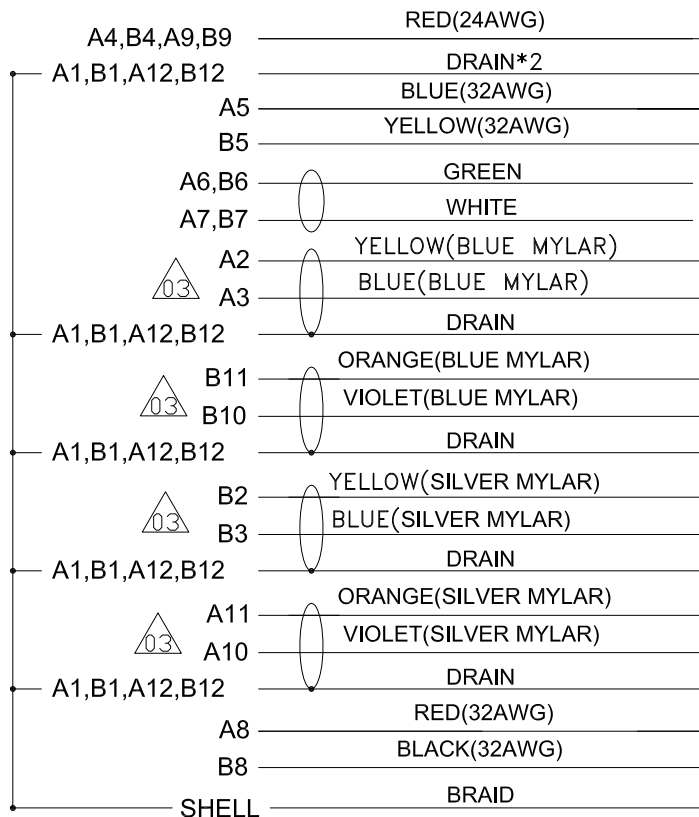
1

2

3

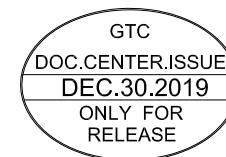
4

REV	ECN#	DESCRIPTION OF REVISION	DRAW BY DATE	CHECK BY DATE	APPROVE BY DATE
03	ECN-190847	Change Wire&Mylar Color	Lucas 08/30/19	Lucas 08/30/19	Ray 08/30/19



Conn.

Wiring Diagram



GT Contact CO.,LTD

TITLE					DRAWING NUMBER			REV.
USB 3.1 Type C Plastic C2 Panel Jack Lock With Cable					GT11C200-03-XX			03
	B	1:1	Hank 06/24/19	Lucas 06/24/19	Ray 06/24/19	XX ± 0.5 X.XXX ± 0.05 X.XX ± 0.2 ANGLES ± 1°		2/3
THIRD ANGLE PROJECTION	SIZE	SCALE	DRAW / DATE	CHECK / DATE	APPROVE / DATE	TOLERANCES	UNIT	SHEET

NOTICE OF PROPRIETARY PROPERTY:  
 THE INFORMATION CONTAINED HEREIN IS THE PROPRIETARY PROPERTY OF GT Contact CO.,LTD THE POSSESSOR AGREES TO THE FOLLOWING:  
 (D) TO MAINTAIN THIS DOCUMENT IN CONFIDENCE  
 (D) NOT TO REPRODUCE OR COPY IT  
 (D) NOT TO REVEAL OR PUBLISH IT IN WHOLE OR PART  
 (V) ALL RIGHTS RESERVED

1

2

3

4

1

2

3

4

REV	ECN#	DESCRIPTION OF REVISION	DRAW BY DATE	CHECK BY DATE	APPROVE BY DATE
03	ECN-190847	Change Wire&Mylar Color	Lucas 08/30/19	Lucas 08/30/19	Ray 08/30/19

\*\*\*CONSTRUCTION:

1.CABLE:

\* UL21572(1P/32#+EAM)\*4+(1P/32#+A)+(4C/32#)+(1C/24#)+2EAB 85%  
 OD:4.8mm BLACK TPE JACKET.

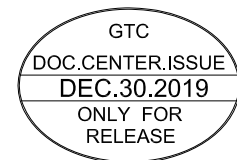
\*\*\*CONNECTOR:

2.USB C/F:

\* USB TYPE C FEMALE SOLDER TYPE,PCB WITHOUT IC,  
 \* PINS: 30u GOLD PLATED OVER NICKEL.  
 \* INSULATOR: BLACK COLOR LCP 94V-0 RATED.  
 \* SHELL: STEEL WITH GOLD FLASH.

3.TEST:

\* CT: 2 ohm IS: 5M ohm



GT Contact CO.,LTD

NOTICE OF PROPRIETARY PROPERTY:  
 THE INFORMATION CONTAINED HEREIN IS THE PROPRIETARY PROPERTY OF GT Contact CO.,LTD THE POSSESSOR AGREES TO THE FOLLOWING:  
 (i) TO MAINTAIN THIS DOCUMENT IN CONFIDENCE  
 (ii) NOT TO REPRODUCE OR COPY IT  
 (iii) NOT TO REVEAL OR PUBLISH IT IN WHOLE OR PART  
 (iv) ALL RIGHTS RESERVED

TITLE USB 3.1 Type C Plastic C2 Panel Jack Lock With Cable					DRAWING NUMBER GT11C200-03-XX			REV. 03	
	B	1:1	Hank 06/24/19	Lucas 06/24/19	Ray 06/24/19	X.X ± 0.5 X.XX ± 0.2	X.XXX ± 0.05 ANGLES ± 1°	mm	3/3
THIRD ANGLE PROJECTION	SIZE	SCALE	DRAW / DATE	CHECK / DATE	APPROVE / DATE	TOLERANCES		UNIT	SHEET

1

2

3

4