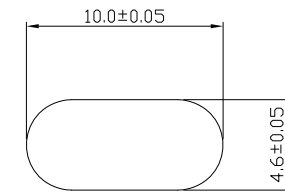
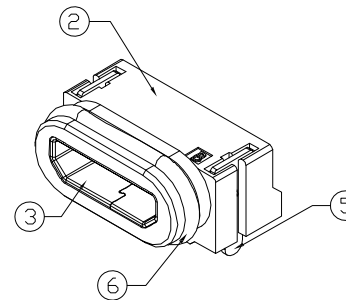
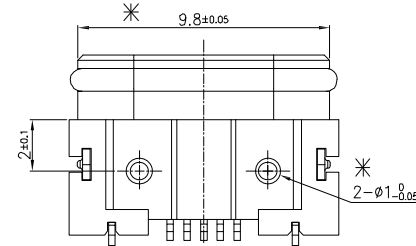
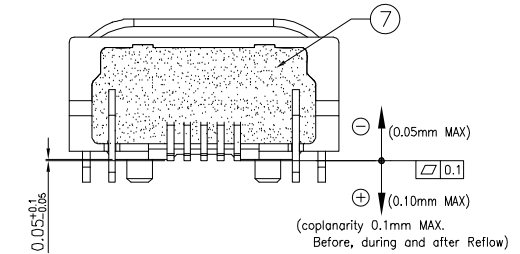
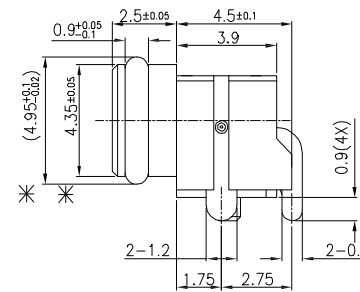
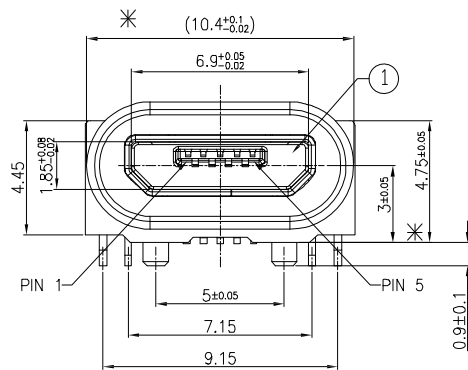
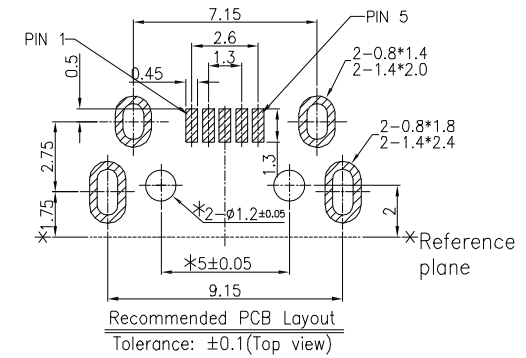
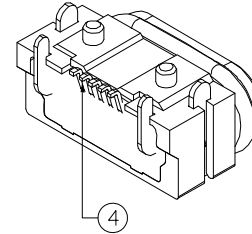
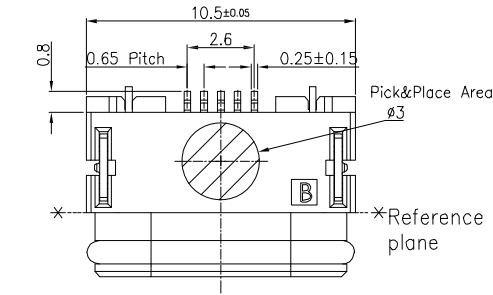


Notes: (Unless Otherwise Specified)

1. Waterproof Rate : IP68.
2. RoHS Compliant.

REV	ECN#	DESCRIPTION OF REVISION	DRAW BY DATE	CHECK BY DATE	APPROVE BY DATE
01			Lucas 09/04/17	Lucas 09/04/17	Ray 09/04/17



Recommend Panel Cut-Out

GTC  
DOC.CENTER.ISSUE  
SEP.04.2017  
ONLY FOR  
RELEASE

7	Bond	-	1
6	O-ring	Color: Black	1
5	Terminal	Color: Gray	1
5	Terminal	SPCC Finish: Sn Plated	1
4	Contacts	Copper Alloy Finish: Au Plated	5
3	Shell	SUS Finish: Ni Plated	1
2	Cover	PA9T Color: Black	1
1	Housing	LCP Color: Black	1
Item	Part Name	Material / Finish	Qty

TITLE						DRAWING NUMBER			REV.
Micro USB-B Jack SMT						GT11BAA0-70			01
THIRD ANGLE PROJECTION	SIZE	SCALE	DRAW / DATE	CHECK / DATE	APPROVE / DATE	X.X ± 0.5	X.XX ± 0.2	X.XXX ± 0.05	mm
	B	1:1	Lucas 09/04/17	Lucas 09/04/17	Ray 09/04/17	TOLERANCES		UNIT	SHEET

GT Contact CO.,LTD

NOTICE OF PROPRIETARY PROPERTY:

THE INFORMATION CONTAINED HEREIN IS THE PROPRIETARY PROPERTY OF GT Contact CO.,LTD THE POSSESSOR AGREES TO THE FOLLOWING:

(1) TO MAINTAIN THIS DOCUMENT IN CONFIDENCE

(2) NOT TO REPRODUCE OR COPY IT

(3) NOT TO REVEAL OR PUBLISH IT IN WHOLE OR PART

(4) ALL RIGHTS RESERVED