

1

2

3

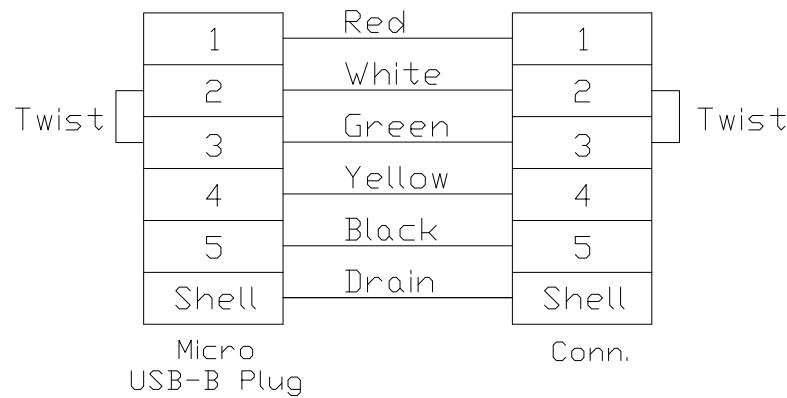
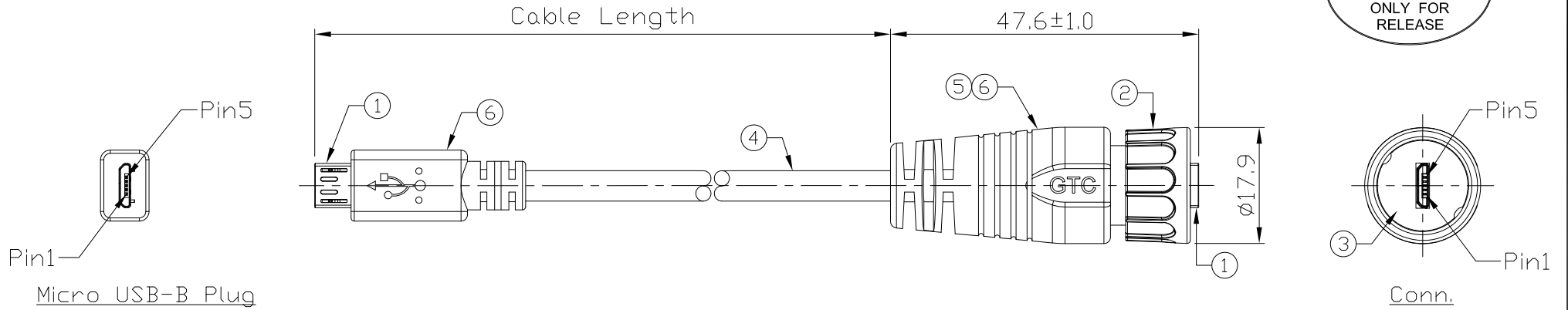
4

Notes: (Unless Otherwise Specified)

- 1. Waterproof Rate: IP67.
- 2. RoHS Compliant.

REV	ECN#	DESCRIPTION OF REVISION	DRAW BY DATE	CHECK BY DATE	APPROVE BY DATE
A0			Aileen 11/26/20	Lucas 11/26/20	Ray 11/26/20

GTC  
 DOC.CENTER.ISSUE  
 NOV.26.2020  
 ONLY FOR  
 RELEASE



Wiring Diagram

Item	Part Name	Material / Finish	QTY
6	Over Mold	PVC Color: Black	2
5	Inner Mold	Thermoplastic Color: Black	1
4	Cable	UL2725 1P*28AWG+3C*24AWG+Al/My+D+B Color: Black, OD=5.0mm	1
3	Rubber Pad	Silicone Color: Black	1
2	Lock Nut	Thermoplastic Color: Black	1
1	Micro USB-B Plug	Housing: Thermoplastic, Color: Black Contacts: Copper Alloy, Finish: Au Plated Shell: Cold Roll Steel, Finish: Ni Plated	2

GT11B220-0P-03	3000 mm	+100
GT11B220-0P-02	2000 mm	+100
GT11B220-0P-01	1000 mm	+50
GT11B220-0P-29	900 mm	+50
GT11B220-0P-28	800 mm	+50
GT11B220-0P-27	700 mm	+50
GT11B220-0P-26	600 mm	+50
GT11B220-0P-25	500 mm	+50
GT11B220-0P-24	400 mm	+50
GT11B220-0P-23	300 mm	+25
GT11B220-0P-22	200 mm	+25
Part No.	Cable Length	Tol.

GT Contact CO.,LTD

NOTICE OF PROPRIETARY PROPERTY:

THE INFORMATION CONTAINED HEREIN IS THE PROPRIETARY PROPERTY OF GT Contact CO.,LTD THE POSSESSOR AGREES TO THE FOLLOWING:  
 (a) TO MAINTAIN THIS DOCUMENT IN CONFIDENCE  
 (b) NOT TO REPRODUCE OR COPY IT  
 (c) NOT TO REVEAL OR PUBLISH IT IN WHOLE OR PART  
 (d) ALL RIGHTS RESERVED

TITLE						DRAWING NUMBER			REV.
Micro USB-B Plastic C2 Cable End Lock With Micro USB-B Plug						GT11B220-0P-XX			A0
	B	N/A	Aileen 11/26/20	Lucas 11/26/20	Ray 11/26/20	X.X ± 0.5 X.XX ± 0.2	X.XXX ± 0.05 ANGLES ± 1°	mm	1/1
THIRD ANGLE PROJECTION	SIZE	SCALE	DRAW / DATE	CHECK / DATE	APPROVE / DATE	TOLERANCES		UNIT	SHEET

1

2

3

4