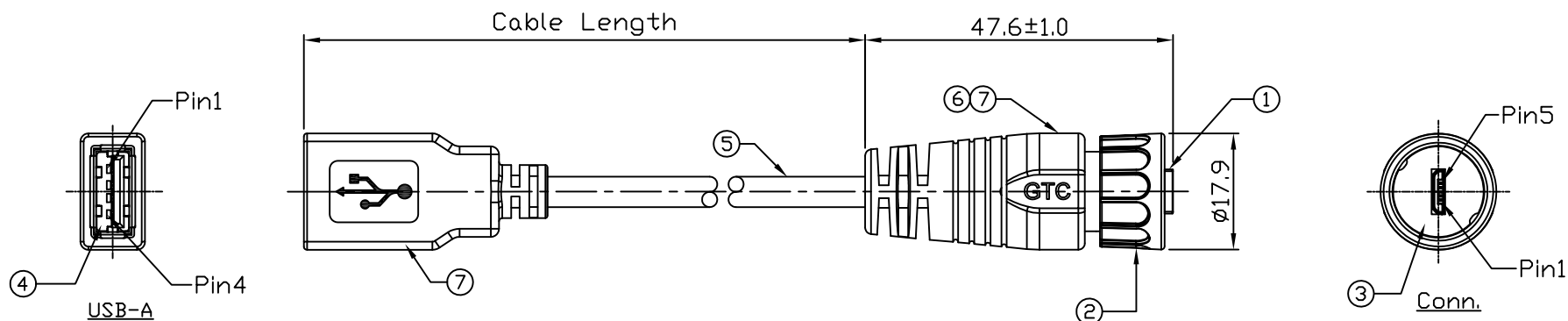


Notes: (Unless Otherwise Specified)

1. Waterproof Rate: IP67.
2. RoHS Compliant.

REV	ECN#	DESCRIPTION OF REVISION	DRAW BY DATE	CHECK BY DATE	APPROVE BY DATE
02	ECN-181205	Micro USB-B Plug Change To Solder Type & Del PCB	Lucas 12/06/18	Lucas 12/06/18	Ray 12/06/18



GT11B220-06-10	10000mm	+500
GT11B220-06-09	9000mm	+450
GT11B220-06-08	8000mm	+400
GT11B220-06-07	7000mm	+150
GT11B220-06-06	6000mm	+150
GT11B220-06-05	5000mm	+150
GT11B220-06-04	4000mm	+150
GT11B220-06-03	3000mm	+100
GT11B220-06-02	2000mm	+100
GT11B220-06-01	1000mm	+50
GT11B220-06-Z9	900mm	+50
GT11B220-06-Z8	800mm	+50
GT11B220-06-Z7	700mm	+50
GT11B220-06-Z6	600mm	+50
GT11B220-06-Z5	500mm	+50
GT11B220-06-Z4	400mm	+50
GT11B220-06-Z3	300mm	+25
GT11B220-06-Z2	200mm	+25
Part No.	Cable Length	Tol.

Color	Quantity
1 Red	1
2 White	2
3 Green	3
4 Black	4
Shell Drain	Shell



Wiring Diagram

Item	Part Name	Material / Finish	QTY
7	Over Mold	PVC Color: Black	2
6	Inner Mold	Thermoplastic Color: Black	1
5	Cable	UL2725 1P*28AWG+2C*24AWG+Al/My+D+B Color: Black, OD=5.0mm	1
4	USB-A Receptacle	Housing: Thermoplastic, Color: White Contacts: Copper Alloy, Finish: Au Plated Shell: SPCC, Finish: Ni Plated	1
3	Rubber Pad	Silicone Color: Black	1
2	Lock Nut	Thermoplastic Color: Black	1
1	Micro USB-B Plug	Housing: Thermoplastic, Color: Black Contacts: Copper Alloy, Finish: Au Plated Shell: Cold Roll Steel, Finish: Ni Plated	1

TITLE						DRAWING NUMBER			REV.
Micro USB-B Plastic C2 Cable End Lock with USB-A Receptacle						GT11B220-06-XX			02
THIRD ANGLE PROJECTION	SIZE	SCALE	DRAW / DATE	CHECK / DATE	APPROVE / DATE	TOLERANCES	UNIT	SHEET	
DD NOT SCALE DRAWINGS	B	1:1	Lucas 06/14/17	Lucas 06/14/17	Ray 06/14/17	X.X ± 0.5 X.XX ± 0.2	X.XXX ± 0.05 ANGLES ± 1°	mm 1/1	

GT Contact CO.,LTD

NOTICE OF PROPRIETARY PROPERTY:

THE INFORMATION CONTAINED HEREIN IS THE PROPRIETARY PROPERTY OF GT CONTACT CO.,LTD THE POSSESSOR AGREES TO THE FOLLOWING:

(1) TO MAINTAIN THIS DOCUMENT IN CONFIDENCE

(2) NOT TO REPRODUCE OR COPY IT

(3) NOT TO REVEAL OR PUBLISH IT IN WHOLE OR PART

(4) ALL RIGHTS RESERVED