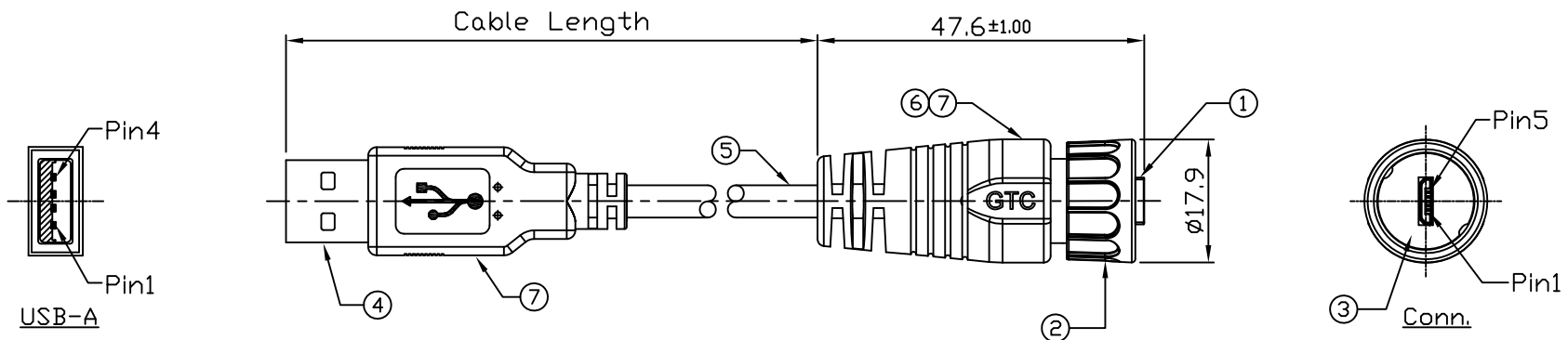


Notes: (Unless Otherwise Specified)  
 1. Waterproof Rate: IP67.  
 2. RoHS Compliant.

REV	ECN#	DESCRIPTION OF REVISION	DRAW BY DATE	CHECK BY DATE	APPROVE BY DATE
02	ECN-181205	Micro USB-B Plug Change To Solder Type & Del PCB	Lucas 12/06/18	Lucas 12/06/18	Ray 12/06/18



GT11B220-05-10	1000mm	±500
GT11B220-05-09	900mm	±450
GT11B220-05-08	800mm	±400
GT11B220-05-07	700mm	±150
GT11B220-05-06	600mm	±150
GT11B220-05-05	500mm	±150
GT11B220-05-04	400mm	±150
GT11B220-05-03	300mm	±150
GT11B220-05-02	200mm	±100
GT11B220-05-01	100mm	±50
GT11B220-05-Z9	900mm	±40
GT11B220-05-Z8	800mm	±40
GT11B220-05-Z7	700mm	±40
GT11B220-05-Z6	600mm	±40
GT11B220-05-Z5	500mm	±40
GT11B220-05-Z4	400mm	±20
GT11B220-05-Z3	300mm	±20
GT11B220-05-Z2	200mm	±10
Part No.	Cable Length	Tol.

7	Over Mold	PVC Color: Black	2
6	Inner Mold	Thermoplastic Color: Black	1
5	Cable	UL2725 1P*28AWG+2C*24AWG+Al/My+D+B Color: Black, OD=5.0mm	1
4	USB-A Plug	Housing: Thermoplastic, Color: Black Contacts: Copper Alloy, Finish: Au Plated Shell: Cold Roll Steel, Finish: Ni Plated	1
3	Rubber Pad	Silicone Color: Black	1
2	Lock Nut	Thermoplastic Color: Black	1
1	Micro USB-B Plug	Housing: Thermoplastic, Color: Black Contacts: Copper Alloy, Finish: Au Plated Shell: Cold Roll Steel, Finish: Ni Plated	1
Item	Part Name	Material / Finish	QTY

1	Red	1
2	White	2
3	Green	3
	N/C	4
4	Black	5
Shell	Drain	Shell
	USB-A	Conn.

Wiring Diagram



TITLE						DRAWING NUMBER			REV.
Micro USB-B Plastic C2 Cable End Lock with USB-A Plug						GT11B220-05-XX			02
	B	1:1	Hank 12/23/15	Lucas 12/23/15	Ray 12/23/15	X.X ± 0.5 X.XX ± 0.2	X.XXX ± 0.05 ANGLES ± 1°	mm	1/1
THIRD ANGLE PROJECTION	SIZE	SCALE	DRAW / DATE	CHECK / DATE	APPROVE / DATE	TOLERANCES		UNIT	SHEET

GT Contact CO.,LTD

NOTICE OF PROPRIETARY PROPERTY:  
 THE INFORMATION CONTAINED HEREIN IS THE PROPRIETARY PROPERTY OF GT CONTACT CO.,LTD THE POSSESSOR AGREES TO THE FOLLOWING:  
 (1) TO MAINTAIN THIS DOCUMENT IN CONFIDENCE  
 (2) NOT TO REPRODUCE OR COPY IT  
 (3) NOT TO REVEAL OR PUBLISH IT IN WHOLE OR PART  
 (4) ALL RIGHTS RESERVED