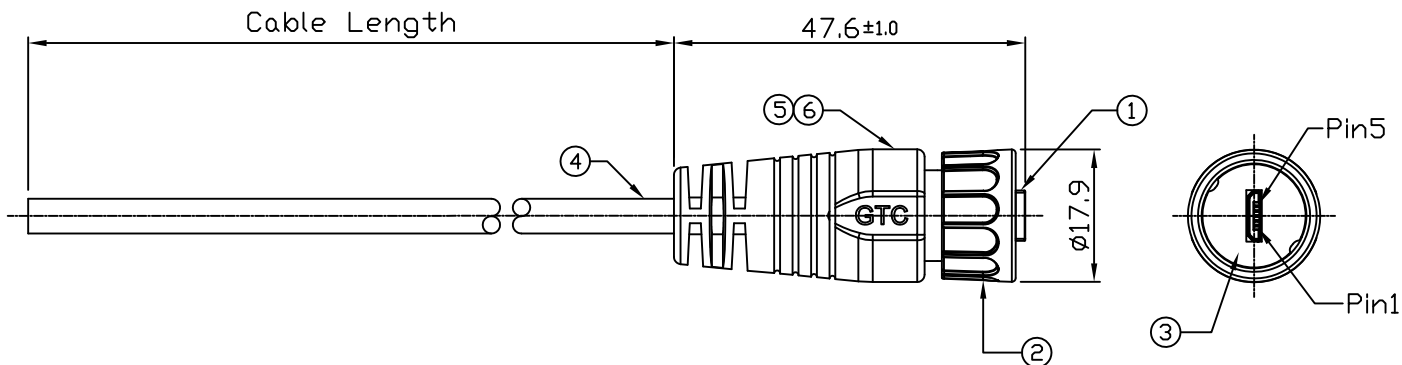


Notes: (Unless Otherwise Specified)

1. Waterproof Rate: IP67.
2. RoHS Compliant.

REV	ECN#	DESCRIPTION OF REVISION	DRAW BY DATE	CHECK BY DATE	APPROVE BY DATE
A0	ECN-190126	PVC=>Thermoplastic	Lucas 01/28/19	Lucas 01/28/19	Ray 01/28/19



Red	1
White	2
Green	3
Yellow	4
Black	5
Drain	Shell

Wiring Diagram

GT11B220-01-10	10000 mm	±500
GT11B220-01-09	9000 mm	±450
GT11B220-01-08	8000 mm	±400
GT11B220-01-07	7000 mm	±150
GT11B220-01-06	6000 mm	±150
GT11B220-01-05	5000 mm	±150
GT11B220-01-04	4000 mm	±150
GT11B220-01-03	3000 mm	±150
GT11B220-01-02	2000 mm	±100
GT11B220-01-01	1000 mm	±50
GT11B220-01-Z9	900 mm	±40
GT11B220-01-Z8	800 mm	±40
GT11B220-01-Z7	700 mm	±40
GT11B220-01-Z6	600 mm	±40
GT11B220-01-Z5	500 mm	±40
GT11B220-01-Z4	400 mm	±20
GT11B220-01-Z3	300 mm	±20
GT11B220-01-Z2	200 mm	±10
GT11B220-01-Z1	100 mm	±25
Part No.	Cable Length	Tol.

6	Over Mold	PVC Color: Black	1
5	Inner Mold	Thermoplastic Color: Black	1
4	Cable	UL2725 1P*28AWG+3C*24AWG+Al/My+D+B Color: Black, OD=5.0mm	1
3	Rubber Pad	Silicone Color: Black	1
2	Lock Nut	Thermoplastic Color: Black	1
1	Micro USB-B Plug	Housing: Thermoplastic, Color: Black Contacts: Copper Alloy, Finish: Au Plated Shell: Cold Roll Steel, Finish: Ni Plated	1
Item	Part Name	Material / Finish	Q'TY

TITLE						DRAWING NUMBER			REV.
Micro USB-B Plastic C2 Cable End Lock						GT11B220-01-XX			A0
	B	1:1	Poter 04/15/14	Lucas 04/15/14	Ray 04/15/14	X.X ± 0.5 X.XX ± 0.2	X.XXX ± 0.05 ANGLES ± 1°	mm	1/1
THIRD ANGLE PROJECTION	SIZE	SCALE	DRAW / DATE	CHECK / DATE	APPROVE / DATE	TOLERANCES		UNIT	SHEET

GT Contact CO.,LTD

NOTICE OF PROPRIETARY PROPERTY:
THE INFORMATION CONTAINED HEREIN IS THE PROPRIETARY PROPERTY OF GT CONTACT CO.,LTD THE POSSESSOR AGREES TO THE FOLLOWING:
 (a) TO MAINTAIN THIS DOCUMENT IN CONFIDENCE
 (b) NOT TO REPRODUCE OR COPY IT
 (c) NOT TO REVEAL OR PUBLISH IT IN WHOLE OR PART
 (d) ALL RIGHTS RESERVED