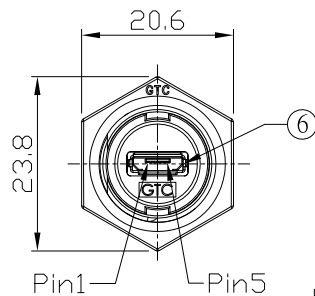


Notes: (Unless Otherwise Specified)

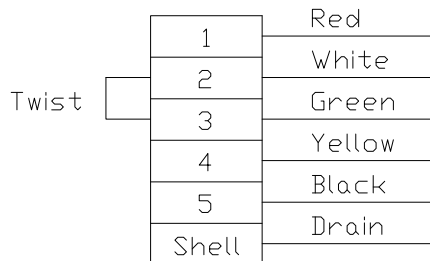
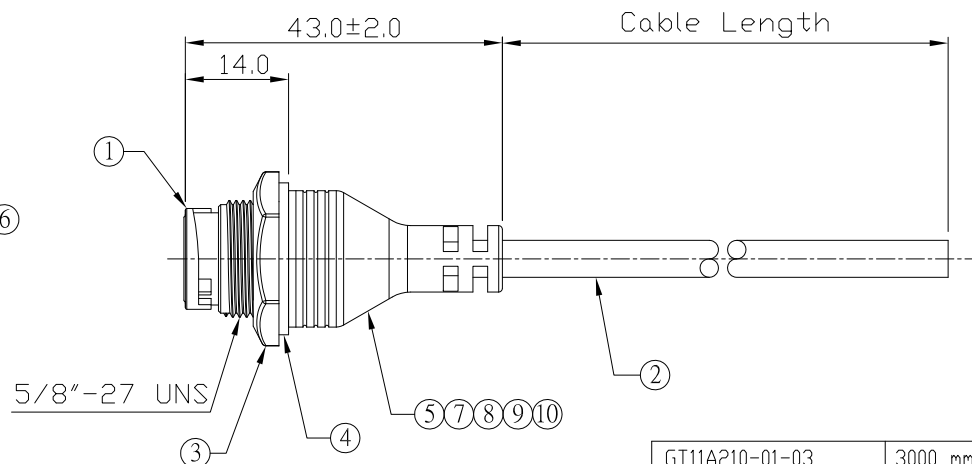
1. Waterproof Rate: IP67.
2. Recommend Panel Thickness: 0.8 to 3.0 mm.
3. Recommend Torque: 9~10 Kgf-cm.
4. Mating Cap P/N: GT1C1210X2.
5. RoHS & REACH Compliant.

REV	ECN#	DESCRIPTION OF REVISION	DRAW BY DATE	CHECK BY DATE	APPROVE BY DATE
01			Lucas 07/21/14	Ray 07/21/14	Ray 07/21/14
02	ECN-140821	Modify Cable Standard Δ	Joyce 08/15/14	Lucas 08/15/14	Ray 08/15/14

GTC
DOC.CENTER.ISSUE
DEC.08.2016
ONLY FOR
RELEASE

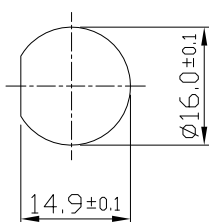


Micro USB-AB Jack



Micro USB-AB Jack

Δ Wiring Diagram



Recommend
Panel Cut-Out

Part No.	Cable Length	Tol.
GT11A210-01-03	3000 mm	+100
GT11A210-01-02	2000 mm	±150
GT11A210-01-01	1000 mm	±50
GT11A210-01-Z9	900 mm	±40
GT11A210-01-Z8	800 mm	±40
GT11A210-01-Z7	700 mm	±40
GT11A210-01-Z6	600 mm	±40
GT11A210-01-Z5	500 mm	±40
GT11A210-01-Z4	400 mm	±20
GT11A210-01-Z3	300 mm	±20
GT11A210-01-Z2	200 mm	±10
GT11A210-01-Z1	100 mm	±10

Item	Part Name	Material / Finish	Qty
10	Over Mold	PVC Color: Black	1
9	Inner Mold	Thermoplastic Color: White Or Black	1
8	Glue	Epoxy Color: Black	
7	Pin Header	Housing: Thermoplastic, Color: Black Contacts: Copper Alloy, Finish: Au Plated	1
6	Micro USB-AB Receptacle	Housing: Thermoplastic, Color: Black Contacts: Copper Alloy, Finish: Au Plated Shell: Copper Alloy, Finish: Sn Plated	1
5	PCB	FR-4 Color: -	2
4	Gasket	Silicone Color: Black	1
3	Hex Nut	Thermoplastic Color: Black	1
2	Cable	UL2725 1P*28AWG+3C*24AWG+AL/My+D+B OD=5.0mm, Color: Black	1
1	Housing	Thermoplastic Color: Black	1

GT Contact CO.,LTD

NOTICE OF PROPRIETARY PROPERTY:

THE INFORMATION CONTAINED HEREIN IS THE PROPRIETARY PROPERTY OF GT Contact CO.,LTD THE POSSESSOR AGREES TO THE FOLLOWING:
 (a) TO MAINTAIN THIS DOCUMENT IN CONFIDENCE
 (b) NOT TO REPRODUCE OR COPY IT
 (c) NOT TO REVEAL OR PUBLISH IT IN WHOLE OR PART
 (d) ALL RIGHTS RESERVED

TITLE						DRAWING NUMBER			REV.
Micro USB-AB Plastic C2 Cable to Cable Jack Lock with Cable						GT11A210-01-XX			02
	B	1:1	Lucas 07/21/14	Ray 07/21/14	Ray 07/21/14	X.X ± 0.5 X.XX ± 0.2	X.XXX ± 0.05 ANGLES ± 1°	mm	1/1
THIRD ANGLE PROJECTION	SIZE	SCALE	DRAW / DATE	CHECK / DATE	APPROVE / DATE	TOLERANCES		UNIT	SHEET