

1

2

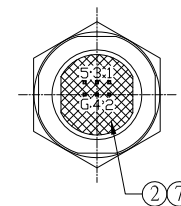
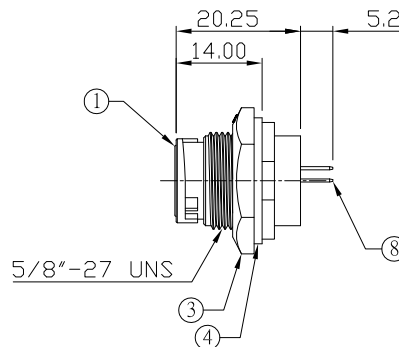
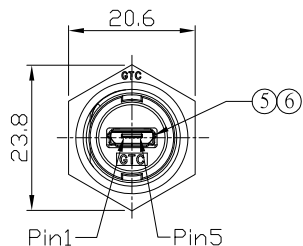
3

4

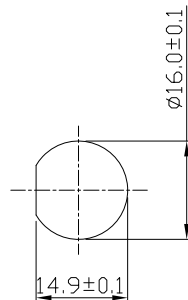
Notes: (Unless Otherwise Specified)

- 1. Waterproof Rate: IP67.
- 2. Recommend Panel Thickness : 0.8 to 3.0 mm.
- 3. Recommend Torque: 9~10 Kgf-cm.
- 4. Mating Cap P/N: GT1C1210X2.
- 5. RoHS & REACH Compliant.

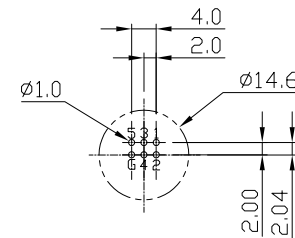
| REV | ECN# | DESCRIPTION OF REVISION | DRAW BY DATE | CHECK BY DATE | APPROVE BY DATE |
|-----|------|-------------------------|-------------------|-----------------|-----------------|
| 01 | | | Lucas 01/18/16 | Ray 01/18/16 | Ray 01/18/16 |



| | | | |
|------|-------------------------|---|-----|
| 8 | Pin Header | Housing: Thermoplastic, Color: Black Contacts: Copper Alloy, Finish: Au Plated | 1 |
| 7 | Glue | Epoxy Color: Black | |
| 6 | Micro USB-AB Receptacle | Housing: Thermoplastic, Color: Black Contacts: Copper Alloy, Finish: Au Plated Shell: Copper Alloy, Finish: Sn Plated | 1 |
| 5 | PCB | FR-4 Color: - | 1 |
| 4 | Gasket | Silicone Color: Black | 1 |
| 3 | Hex Nut | Thermoplastic Color: Black | 1 |
| 2 | Hold | Silicone Color: Black | 1 |
| 1 | Housing | Thermoplastic Color: Black | 1 |
| Item | Part Name | Material / Finish | Qty |



Recommend Panel Cut-Out



Recommend PCB Layout

| TITLE | | | | | | DRAWING NUMBER | | | REV. | |
|---|------|-------|----------------|--------------|----------------|-------------------------|------|-----------------------------|------|--|
| Micro USB-AB Plastic C2 Panel Jack Lock Dip | | | | | | GT11A200-10 | | | 01 | |
| THIRD ANGLE PROJECTION | SIZE | SCALE | DRAW / DATE | CHECK / DATE | APPROVE / DATE | TOLERANCES | UNIT | SHEET | | |
| | B | 1:1 | Lucas 01/18/16 | Ray 01/18/16 | Ray 01/18/16 | X.X ± 0.5 X.XX ± 0.2 | mm | X.XXX ± 0.05 ANGLES ± 1° | 1/1 | |

GT Contact CO.,LTD

NOTICE OF PROPRIETARY PROPERTY:
 THE INFORMATION CONTAINED HEREIN IS THE PROPRIETARY PROPERTY OF GT CONTACT CO.,LTD THE POSSESSOR AGREES TO THE FOLLOWING:
 (a) TO MAINTAIN THIS DOCUMENT IN CONFIDENCE
 (b) NOT TO REPRODUCE OR COPY IT
 (c) NOT TO REVEAL OR PUBLISH IT IN WHOLE OR PART
 (d) ALL RIGHTS RESERVED

1

2

3

4