

1

2

3

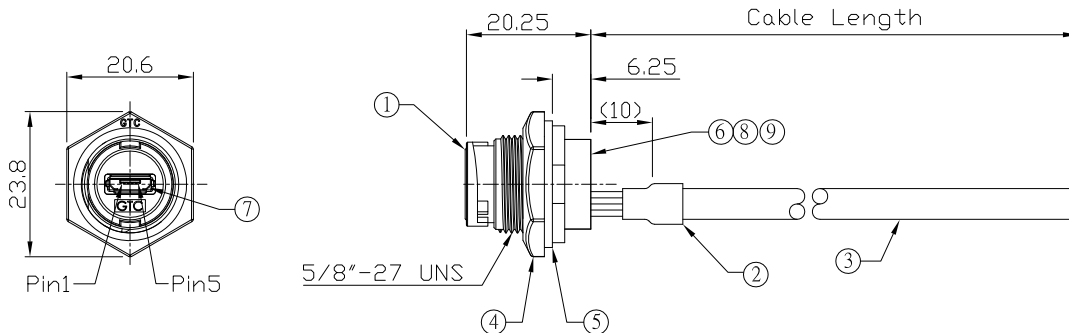
4

Notes: (Unless Otherwise Specified)

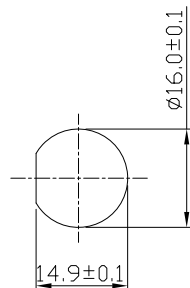
- 1. Waterproof Rate: IP67.
- 2. Recommend Panel Thickness : 0.8 to 3.0 mm.
- 3. Recommend Torque: 9~10 Kgf-cm.
- 4. Mating Cap P/N: GT1C1210X2.
- 5. RoHS & REACH Compliant.

REV	ECN#	DESCRIPTION OF REVISION	DRAW BY DATE	CHECK BY DATE	APPROVE BY DATE
01			Poter 04/11/14	Lucas 04/11/14	Ray 04/11/14
02	ECN-140821	Modify Cable Standard	Joyce 08/15/14	Lucas 08/15/14	Ray 08/15/14

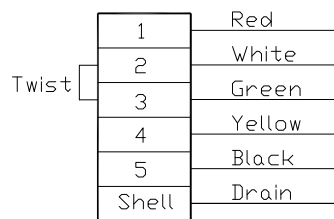
GTC  
R&D DEPT. ISSUE  
AUG.15.2014  
ONLY FOR  
RELEASE



9	Glue	Epoxy Color: Black	
8	Pin Header	Housing: Thermoplastic, Color: Black Contacts: Copper Alloy, Finish: Au Plated	1
7	Micro USB-AB Receptacle	Housing: Thermoplastic, Color: Black Contacts: Copper Alloy, Finish: Au Plated Shell: Copper Alloy, Finish: Sn Plated	1
6	PCB	FR-4 Color: -	2
5	Gasket	Silicone Color: Black	1
4	Hex Nut	Thermoplastic Color: Black	1
3	Cable	UL2725 1P*28AWG+3C*24AWG+Al/My+D+B OD=5.0mm, Color: Black	1
2	Shrink Tube	L=20mm Color: Black	1
1	Housing	Thermoplastic Color: Black	1
Item	Part Name	Material / Finish	Qty



Recommend  
Panel Cut-Out



Wiring Diagram

GT11A200-03-02	2000 mm	±100
GT11A200-03-01	1000 mm	±50
GT11A200-03-Z9	900 mm	±40
GT11A200-03-Z8	800 mm	±40
GT11A200-03-Z7	700 mm	±40
GT11A200-03-Z6	600 mm	±40
GT11A200-03-Z5	500 mm	±40
GT11A200-03-Z4	400 mm	±20
GT11A200-03-Z3	300 mm	±20
GT11A200-03-Z2	200 mm	±10
GT11A200-03-Z1	100 mm	±10
Part No.	Cable Length	Tol.

GT Contact CO.,LTD

NOTICE OF PROPRIETARY PROPERTY:

THE INFORMATION CONTAINED HEREIN IS THE PROPRIETARY PROPERTY OF GT Contact CO.,LTD THE POSSESSOR AGREES TO THE FOLLOWING:  
 (1) TO MAINTAIN THIS DOCUMENT IN CONFIDENCE  
 (2) NOT TO REPRODUCE OR COPY IT  
 (3) NOT TO REVEAL OR PUBLISH IT IN WHOLE OR PART  
 (4) ALL RIGHTS RESERVED

TITLE						DRAWING NUMBER			REV.	
Micro USB-AB Plastic C2 Panel Jack Lock With Cable						GT11A200-03-XX			02	
	B	1:1	Poter 04/11/14	Lucas 04/11/14	Ray 04/11/14	X.X ± 0.5 X.XX ± 0.2	X.XXX ± 0.05 ANGLES ± 1°	mm	1/1	
THIRD ANGLE PROJECTION	SIZE	SCALE	DRAW / DATE	CHECK / DATE	APPROVE / DATE	TOLERANCES		UNIT	SHEET	

1

2

3

4