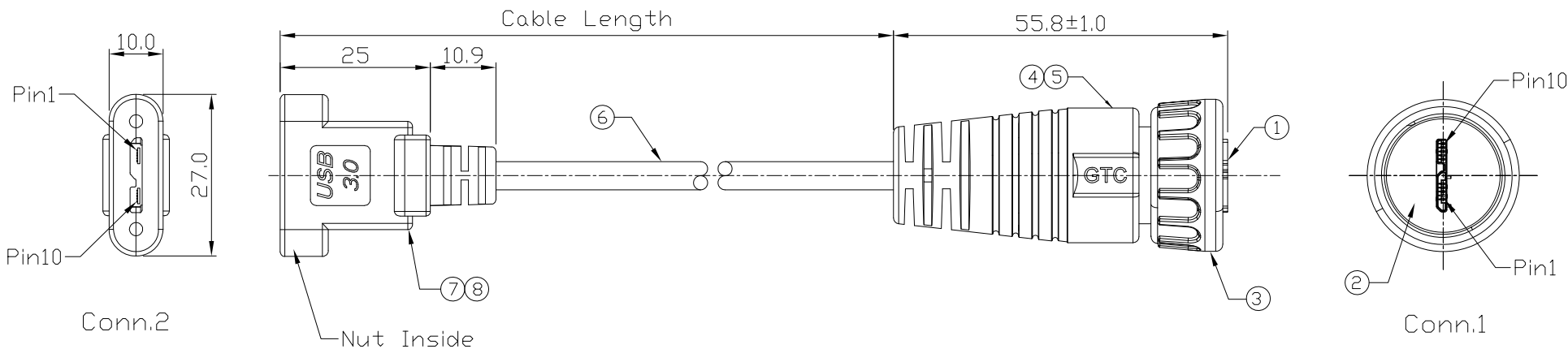


Notes: (Unless Otherwise Specified)

1. Waterproof Rate: IP67.
2. RoHS&REACH Compliant.

GTC
DOC.CENTER.ISSUE
DEC.05.2016
ONLY FOR
RELEASE

REV	ECN#	DESCRIPTION OF REVISION	DRAW BY DATE	CHECK BY DATE	APPROVE BY DATE
02	ECN-160301	Modify Micro USB-B 3.0 Receptacle & Micro USB-B 3.0 Plug Shell Finish Au Plated -> Ni Plated	Joyce 03/11/16	Lucas 03/11/16	Ray 03/11/16



Item	Part Name	Material / Finish	Q'ty
8	Hood	Thermoplastic Color: Black	1
7	Micro USB-B 3.0 Receptacle	Housing: Thermoplastic, Color: Black Contacts: Copper Alloy, Finish: Au Plated Shell: Copper Alloy, Finish: Ni Plated	1
6	Cable	UL2725 (1P*28AWGEAM)*2+(1PR*28AWG+A)+2C*24AWG+AB 85% Color: Black, OD=5.5mm	1
5	Over Mold	PVC Color: Black	1
4	Inner Mold	Thermoplastic Color: Black	1
3	Screw Nut	Thermoplastic Color: Black	1
2	Rubber Pad	Silicone Color: Black	1
1	Micro USB-B 3.0 Plug	Housing: Thermoplastic, Color: Black Contacts: Copper Alloy, Finish: Au Plated Shell: Cold Roll Steel, Finish: Ni Plated	1

Conn.2	Color	Conn.1
1	Red	1
2	White	2
3	Green	3
5	Black	5
6	Blue	6
7	Yellow	7
8	Drain	8
9	Purple	9
10	Orange	10
Shell	Braid	Shell

Part No.	Cable Length	Tol.
GT119320-07-02	2000 mm	+100
GT119320-07-01	1000 mm	+50
GT119320-07-Z9	900 mm	+50
GT119320-07-Z8	800 mm	+50
GT119320-07-Z7	700 mm	+50
GT119320-07-Z6	600 mm	+50
GT119320-07-Z5	500 mm	+50
GT119320-07-Z4	400 mm	+50
GT119320-07-Z3	300 mm	+25
GT119320-07-Z2	200 mm	+25
GT119320-07-Z1	100 mm	+25

Wiring Diagram

GT Contact CO.,LTD

NOTICE OF PROPRIETARY PROPERTY:
THE INFORMATION CONTAINED HEREIN IS THE PROPRIETARY PROPERTY OF GT Contact CO.,LTD THE POSSESSOR AGREES TO THE FOLLOWING:
(1) TO MAINTAIN THIS DOCUMENT IN CONFIDENCE
(2) NOT TO REPRODUCE OR COPY IT
(3) NOT TO REVEAL OR PUBLISH IT IN WHOLE OR PART
(4) ALL RIGHTS RESERVED

TITLE						DRAWING NUMBER			REV.
Micro USB-B 3.0 Plastic C3 Cable End Plug Screw With Micro USB-B 3.0 Receptacle						GT119320-07-XX			02
THIRD ANGLE PROJECTION	SIZE	SCALE	DRAW / DATE	CHECK / DATE	APPROVE / DATE	TOLERANCES	UNIT	SHEET	
THIRD ANGLE PROJECTION	B	1:1	Lucas 12/08/15	Lucas 12/08/15	Ray 12/08/15	X.X ± 0.5 X.XX ± 0.2	X.XXX ± 0.05 ANGLES ± 1°	mm 1/1	