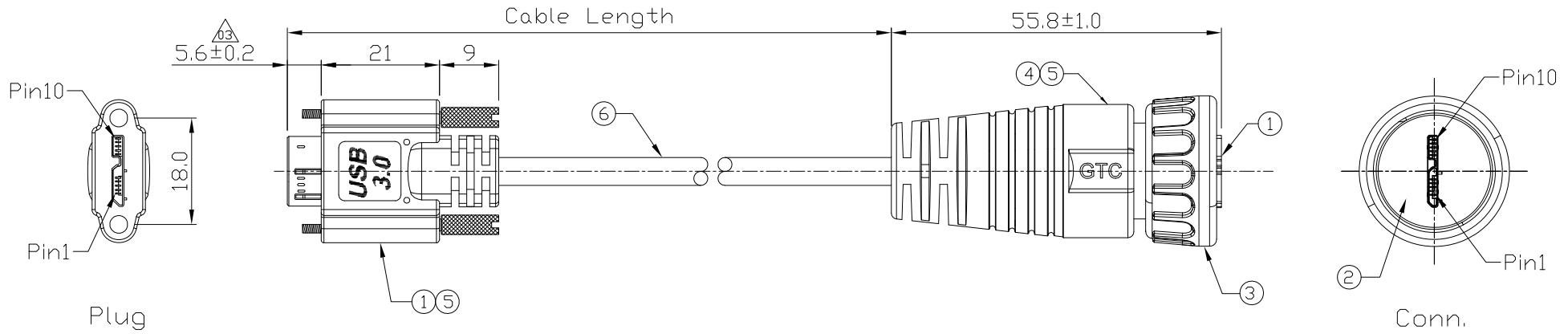


Notes: (Unless Otherwise Specified)

1. Waterproof Rate: IP67.
2. RoHS Compliant.

REV	ECN#	DESCRIPTION OF REVISION	DRAW BY DATE	CHECK BY DATE	APPROVE BY DATE
03	ECN-180926	Modify Drawing	Lucas 10/04/18	Lucas 10/04/18	Ray 10/04/18



Pin No.	Color	Wire Type	Pin No.
1	Red	Braid	1
2	White		2
3	Green		3
5	Black		5
6	Blue		6
7	Yellow		7
8	Drain		8
9	Purple		9
10	Orange		10
Shell			Shell

Part No.	Cable Length	Tol.
GT119320-04-02	2000 mm	+100
GT119320-04-01	1000 mm	+50
GT119320-04-Z9	900 mm	+50
GT119320-04-Z8	800 mm	+50
GT119320-04-Z7	700 mm	+50
GT119320-04-Z6	600 mm	+50
GT119320-04-Z5	500 mm	+50
GT119320-04-Z4	400 mm	+50
GT119320-04-Z3	300 mm	+25
GT119320-04-Z2	200 mm	+25
GT119320-04-Z1	100 mm	+25

Item	Part Name	Material / Finish	Q'ty
6	Cable	UL2725 (1P*28AWGEAM)*2+(1PR*28AWG+A)+2C*24AWG+AB 85% Color: Black, OD=5.5mm	1
5	Over Mold	PVC Color: Black	2
4	Inner Mold	Thermoplastic Color: Black	1
3	Screw Nut	Thermoplastic Color: Black	1
2	Rubber Pad	Silicone Color: Black	1
1	Micro USB-B 3.0 Plug	Housing: Thermoplastic, Color: Black Contacts: Copper Alloy, Finish: Au Plated Shell: Cold Roll Steel, Finish: Ni Plated	2

Plug Conn.

Wiring Diagram

GT Contact CO.,LTD

TITLE						DRAWING NUMBER			REV.	
Micro USB-B 3.0 Plastic C3 Cable End Plug Screw With Micro USB-B 3.0 Plug						GT119320-04-XX			03	
THIRD ANGLE PROJECTION	SIZE	SCALE	DRAW / DATE	CHECK / DATE	APPROVE / DATE	X.X ± 0.5 X.XX ± 0.2	X.XXX ± 0.05 ANGLES ± 1°	mm	1/1	
						TOLERANCES			UNIT SHEET	

NOTICE OF PROPRIETARY PROPERTY:
THE INFORMATION CONTAINED HEREIN IS THE PROPRIETARY PROPERTY OF GT Contact CO.,LTD THE POSSESSOR AGREES TO THE FOLLOWING:
(i) TO MAINTAIN THIS DOCUMENT IN CONFIDENCE
(ii) NOT TO REPRODUCE OR COPY IT
(iii) NOT TO REVEAL OR PUBLISH IT IN WHOLE OR PART
(iv) ALL RIGHTS RESERVED