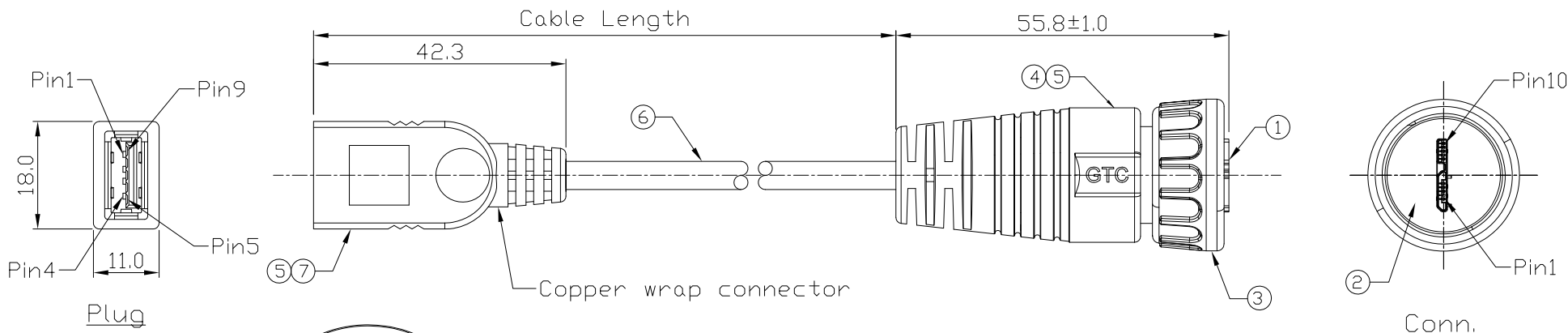


Notes: (Unless Otherwise Specified)  
 1. Waterproof Rate: IP67.  
 2. RoHS&REACH Compliant.

REV	ECN#	DESCRIPTION OF REVISION	DRAW BY DATE	CHECK BY DATE	APPROVE BY DATE
02	ECN-160301	Modify USB-A 3.0 Receptacle & Micro USB-B 3.0 Plug <sup>△</sup> 02 Shell Finish Au Plated -> Ni Plated	Joyce 03/11/16	Lucas 03/11/16	Ray 03/11/16



GTC  
 DOC.CENTER.ISSUE  
 DEC.05.2016  
 ONLY FOR  
 RELEASE

Item	Part Name	Material / Finish	Q'ty
7	USB-A 3.0 Receptacle	Housing: Thermoplastic, Color: Blue Contacts: Copper Alloy, Finish: Au Plated Shell: Copper Alloy, Finish: Au Plated	1 <sup>△</sup> 02
6	Cable	UL2725 (1P*28AWGEAM)*2+(1PR*28AWG+A)+2C*24AWG+AB 85% Color: Black, OD=5.5mm	1
5	Over Mold	PVC Color: Black	2
4	Inner Mold	Thermoplastic Color: Black	1
3	Screw Nut	Thermoplastic Color: Black	1
2	Rubber Pad	Silicone Color: Black	1
1	Micro USB-B 3.0 Plug	Housing: Thermoplastic, Color: Black Contacts: Copper Alloy, Finish: Au Plated Shell: Cold Roll Steel, Finish: Ni Plated	1 <sup>△</sup> 02

Plug	Color	Conn.
1	Red	1
2	White	2
3	Green	3
4	Black	5
5	Blue	6
6	Yellow	7
7	Drain	8
8	Purple	9
9	Orange	10
Shell	Braid	Shell

Part No.	Cable Length	Tol.
GT119320-03-02	2000 mm	+100
GT119320-03-01	1000 mm	+50
GT119320-03-Z9	900 mm	+50
GT119320-03-Z8	800 mm	+50
GT119320-03-Z7	700 mm	+50
GT119320-03-Z6	600 mm	+50
GT119320-03-Z5	500 mm	+50
GT119320-03-Z4	400 mm	+50
GT119320-03-Z3	300 mm	+25
GT119320-03-Z2	200 mm	+25
GT119320-03-Z1	100 mm	+25

Wiring Diagram

GT Contact CO.,LTD

NOTICE OF PROPRIETARY PROPERTY:  
 THE INFORMATION CONTAINED HEREIN IS THE PROPRIETARY PROPERTY OF GT Contact CO.,LTD THE POSSESSOR AGREES TO THE FOLLOWING:  
 (a) TO MAINTAIN THIS DOCUMENT IN CONFIDENCE  
 (b) NOT TO REPRODUCE OR COPY IT  
 (c) NOT TO REVEAL OR PUBLISH IT IN WHOLE OR PART  
 (d) ALL RIGHTS RESERVED

TITLE						DRAWING NUMBER		REV.
Micro USB-B 3.0 Plastic C3 Cable End Plug Screw With USB-A 3.0 Receptacle						GT119320-03-XX		02
	B	1:1	Lucas 12/11/15	Lucas 12/11/15	Ray 12/11/15	X.X ± 0.5 X.XX ± 0.2	X.XXX ± 0.05 ANGLES ± 1°	mm 1/1
THIRD ANGLE PROJECTION	SIZE	SCALE	DRAW / DATE	CHECK / DATE	APPROVE / DATE	TOLERANCES		UNIT SHEET