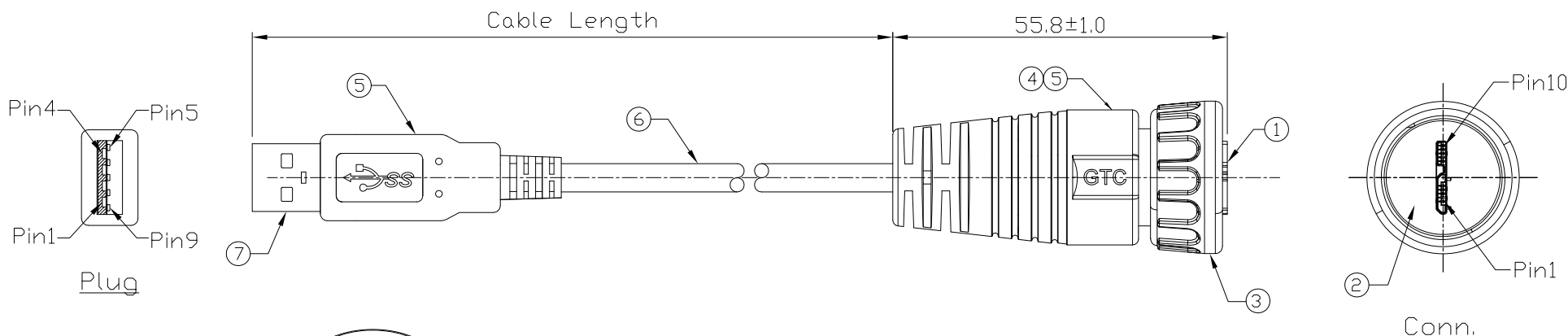


Notes: (Unless Otherwise Specified)
 1. Waterproof Rate: IP67.
 2. RoHS&REACH Compliant.

REV	ECN#	DESCRIPTION OF REVISION	DRAW BY DATE	CHECK BY DATE	APPROVE BY DATE
02	ECN-160301	Modify Micro USB-B 3.0 Plug Shell Finish Δ Au Plated -> Ni Plated	Joyce 03/11/16	Lucas 03/11/16	Ray 03/11/16



Pin No.	Color	Pin No.
1	Red	1
2	White	2
3	Green	3
4	Black	5
5	Blue	6
6	Yellow	7
7	Drain	8
8	Purple	9
9	Orange	10
Shell	Braid	Shell

Part No.	Cable Length	Tol.
GT119320-02-05	5000 mm	+150
GT119320-02-02	2000 mm	+100
GT119320-02-01	1000 mm	+50
GT119320-02-Z9	900 mm	+50
GT119320-02-Z8	800 mm	+50
GT119320-02-Z7	700 mm	+50
GT119320-02-Z6	600 mm	+50
GT119320-02-Z5	500 mm	+50
GT119320-02-Z4	400 mm	+25
GT119320-02-Z3	300 mm	+25
GT119320-02-Z2	200 mm	+25
GT119320-02-Z1	100 mm	+25

Item	Part Name	Material / Finish	Q'ty
7	USB-A 3.0 Plug	Housing: Thermoplastic, Color: Blue Contacts: Copper Alloy, Finish: Au Plated Shell: Cold Roll Steel, Finish: Ni Plated	1
6	Cable	UL2725 (1P*28AWGEAM)*2+(1PR*28AWG+A)+2C*24AWG+AB 85% Color: Black, OD=5.5mm	1
5	Over Mold	PVC Color: Black	2
4	Inner Mold	Thermoplastic Color: Black	1
3	Screw Nut	Thermoplastic Color: Black	1
2	Rubber Pad	Silicone Color: Black	1
1	Micro USB-B 3.0 Plug	Housing: Thermoplastic, Color: Black Contacts: Copper Alloy, Finish: Au Plated Shell: Cold Roll Steel, Finish: Ni Plated	1 Δ

Wiring Diagram

TOLERANCES	UNIT	SHEET
X.X ± 0.5 X.XX ± 0.2	X.XXX ± 0.05 ANGLES ± 1°	mm 1/1

GT Contact CO.,LTD

NOTICE OF PROPRIETARY PROPERTY:
 THE INFORMATION CONTAINED HEREIN IS THE PROPRIETARY PROPERTY OF GT Contact CO.,LTD THE POSSESSOR AGREES TO THE FOLLOWING:
 (a) TO MAINTAIN THIS DOCUMENT IN CONFIDENCE
 (b) NOT TO REPRODUCE OR COPY IT
 (c) NOT TO REVEAL OR PUBLISH IT IN WHOLE OR PART
 (d) ALL RIGHTS RESERVED

TITLE						DRAWING NUMBER		REV.	
Micro USB-B 3.0 Plastic C3 Cable End Plug Screw With USB-A 3.0 Plug						GT119320-02-XX		02	
THIRD ANGLE PROJECTION	SIZE	SCALE	DRAW / DATE	CHECK / DATE	APPROVE / DATE	TOLERANCES		UNIT	SHEET
	B	1:1	Lucas 12/11/15	Lucas 12/11/15	Ray 12/11/15			mm	1/1