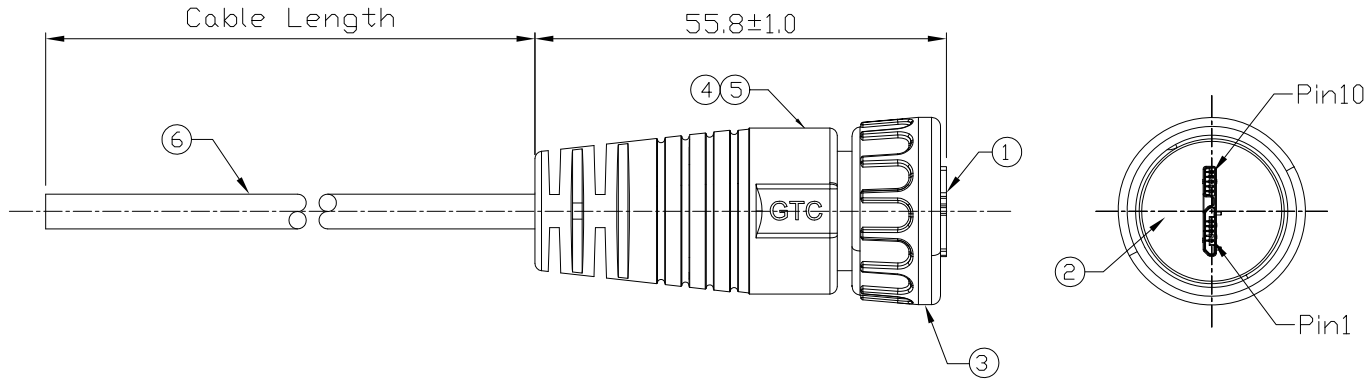


Notes: (Unless Otherwise Specified)  
 1. Waterproof Rate: IP67.  
 2. RoHS&REACH Compliant.

REV	ECN#	DESCRIPTION OF REVISION	DRAW BY DATE	CHECK BY DATE	APPROVE BY DATE
02	ECN-160301	Modify Micro USB-B 3.0 Plug Shell Finish $\Delta$ Au Plated -> Ni Plated	Joyce 03/11/16	Lucas 03/11/16	Ray 03/11/16



GTC  
 DOC.CENTER.ISSUE  
 DEC.05.2016  
 ONLY FOR  
 RELEASE

6	Cable	UL2725 (1P*28AWGEAM)*2+(1PR*28AWG+A)+2C*24AWG+AB 85% Color: Black, OD=5.5mm	1
5	Over Mold	PVC Color: Black	1
4	Inner Mold	Thermoplastic Color: Black	1
3	Screw Nut	Thermoplastic Color: Black	1
2	Rubber Pad	Silicone Color: Black	1
1	Micro USB-B 3.0 Plug	Housing: Thermoplastic, Color: Black Contacts: Copper Alloy, Finish: Au Plated Shell: Cold Roll Steel, Finish: Ni Plated	1 $\Delta$
Item	Part Name	Material / Finish	Q'ty

1	Red
2	White
3	Green
5	Black
6	Blue
7	Yellow
8	Drain
9	Purple
10	Orange
Shell	Braid

GT119320-01-02	2000 mm	+100
GT119320-01-01	1000 mm	+50
GT119320-01-Z9	900 mm	+50
GT119320-01-Z8	800 mm	+50
GT119320-01-Z7	700 mm	+50
GT119320-01-Z6	600 mm	+50
GT119320-01-Z5	500 mm	+50
GT119320-01-Z4	400 mm	+50
GT119320-01-Z3	300 mm	+25
GT119320-01-Z2	200 mm	+25
GT119320-01-Z1	100 mm	+25
Part No.	Cable Length	Tol.

Wiring Diagram

TITLE						DRAWING NUMBER			REV.	
Micro USB-B 3.0 Plastic C3 Cable End Plug Screw						GT119320-01-XX			02	
	B	1:1	Lucas 12/02/15	Lucas 12/02/15	Ray 12/02/15	X.X ± 0.5 X.XX ± 0.2	X.XXX ± 0.05 ANGLES ± 1°	mm	1/1	
THIRD ANGLE PROJECTION	SIZE	SCALE	DRAW / DATE	CHECK / DATE	APPROVE / DATE	TOLERANCES		UNIT	SHEET	

GT Contact CO.,LTD

NOTICE OF PROPRIETARY PROPERTY:  
 THE INFORMATION CONTAINED HEREIN IS THE PROPRIETARY PROPERTY OF GT Contact CO.,LTD THE POSSESSOR AGREES TO THE FOLLOWING:  
 (a) TO MAINTAIN THIS DOCUMENT IN CONFIDENCE  
 (b) NOT TO REPRODUCE OR COPY IT  
 (c) NOT TO REVEAL OR PUBLISH IT IN WHOLE OR PART  
 (d) ALL RIGHTS RESERVED