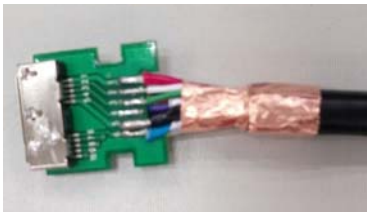
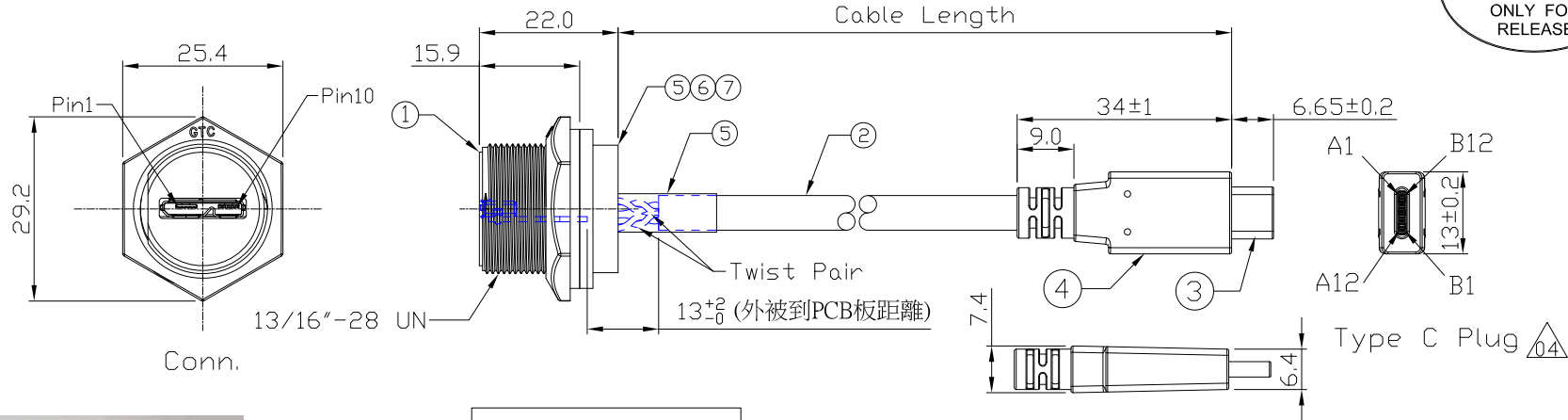


Notes: (Unless Otherwise Specified)

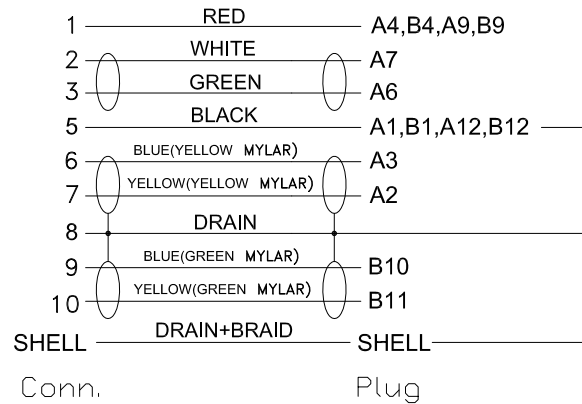
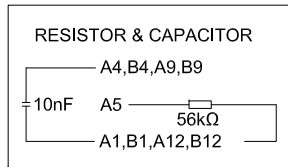
- 1. Waterproof Rate: IP67.
- 2. Recommend Panel Thickness: 0.8 to 5.0 mm.
- 3. Recommend Torque: 14~15 Kgf-cm.
- 4. Mating Cap P/N: GT1C5331X2.
- 5. RoHS Compliant.
- 6. Type C AB面接點需跟圖面一致.

REV	ECN#	DESCRIPTION OF REVISION	DRAW BY DATE	CHECK BY DATE	APPROVE BY DATE
04	ECN-201015	Copper foil wrap => metal shell cover	Lucas 10/27/20	Lucas 10/27/20	Ray 10/27/20

GTC
DOC.CENTER.ISSUE
OCT.29.2020
ONLY FOR
RELEASE

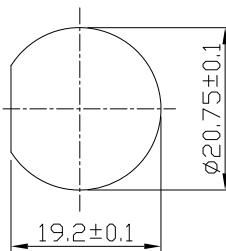


USB兩對線鋁箔跟PCB板距離2~3mm
編織需跟雙面導電銅箔導通跟PCB板距離4~5mm



Part No.	Cable Length	Tol.
GT119300-0C-02	2000 mm	+100
GT119300-0C-01	1000 mm	+50
GT119300-0C-29	900 mm	+50
GT119300-0C-28	800 mm	+50
GT119300-0C-27	700 mm	+50
GT119300-0C-26	600 mm	+50
GT119300-0C-25	500 mm	+50
GT119300-0C-24	400 mm	+50
GT119300-0C-23	300 mm	+25
GT119300-0C-22	200 mm	+25
GT119300-0C-21	100 mm	+25

Item	Part Name	Material / Finish	Qty
5	Shrink Tube	L=25mm, Heat Shrink Tube With Adhesive Lined Color: Black	1
4	Over Mold	PVC Color: Black	1
3	USB Type C 3.1 Plug	Housing: Thermoplastic, Color: Black Contacts: Copper Alloy, Finish: Au Plated Shell: Stainless Steel, Finish: Au Plated	1
2	Cable	UL2725 (1P/30#+EAM)*2+(1P/30#+2C/24#)+AEB(AL)65% DD:5.0mm Color: Black	1
1	Micro USB-B 3.0 Plastic C3 Panel Jack Screw	GT Contact P/N: GT119300-0X-XX	1



Recommend
Panel Cut-Out

GT Contact CO.,LTD

NOTICE OF PROPRIETARY PROPERTY:
THE INFORMATION CONTAINED HEREIN IS THE PROPRIETARY PROPERTY OF GT CONTACT CO.,LTD THE POSSESSOR AGREES TO THE FOLLOWING:
(1) TO MAINTAIN THIS DOCUMENT IN CONFIDENCE
(2) NOT TO REPRODUCE OR COPY IT
(3) NOT TO REVEAL OR PUBLISH IT IN WHOLE OR PART
(4) ALL RIGHTS RESERVED

TITLE						DRAWING NUMBER			REV.
Micro USB-B 3.0 Plastic C3 Panel Jack Screw With Cable + USB Type C 3.1 Plug						GT119300-0C-XX			04
THIRD ANGLE PROJECTION	SIZE	SCALE	DRAW / DATE	CHECK / DATE	APPROVE / DATE	TOLERANCES	UNIT	SHEET	
	B	N/A	Viola 02/21/18	Lucas 02/21/18	Ray 02/21/18	X.X ± 0.5 X.XX ± 0.2	mm	1/1	
						X.XXX ± 0.05 ANGLES ± 1°			