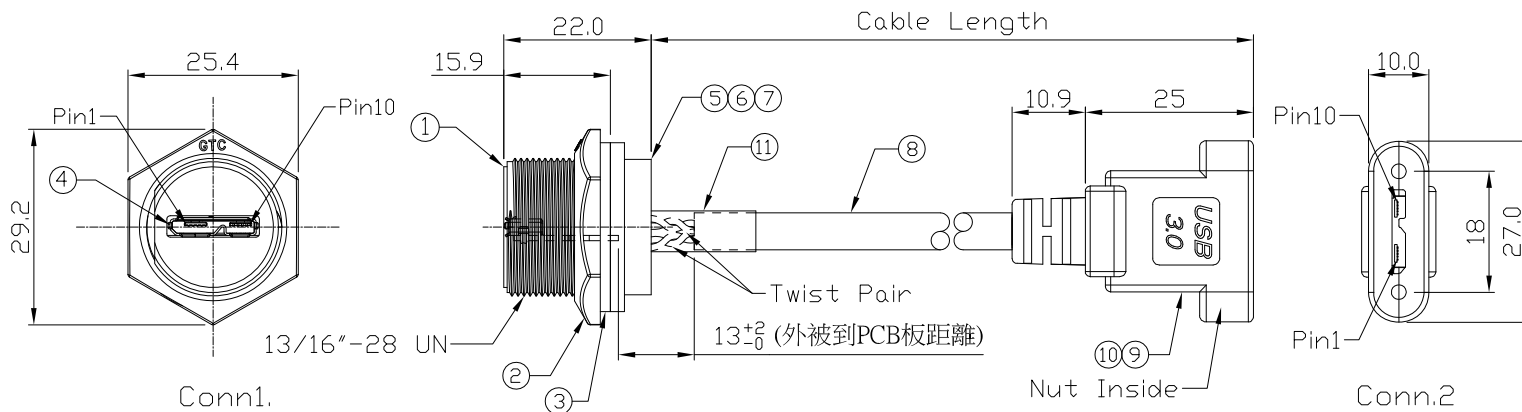


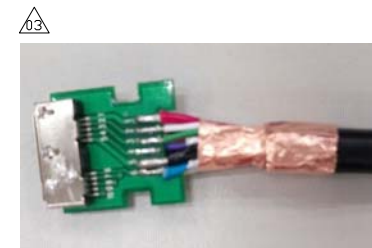
Notes: (Unless Otherwise Specified)

- 1. Waterproof Rate: IP67.
- 2. Recommend Panel Thickness: 0.8 to 5.0 mm.
- 3. Recommend Torque: 14~15 Kgf-cm.
- 4. Mating Cap P/N: GT1C5331X2.
- 5. RoHS & REACH Compliant.

REV	ECN#	DESCRIPTION OF REVISION	DRAW BY DATE	CHECK BY DATE	APPROVE BY DATE
03	ECN-170507	增加導電銅箔的位置示意圖 Heat Shrink Tube With Adhesive Lined $\Delta 03$	Joyce 05/15/17	Lucas 05/15/17	Ray 05/15/17

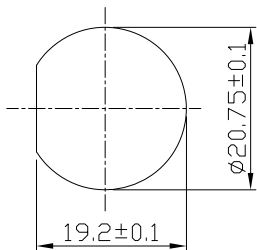


GTC
DOC.CENTER.ISSUE
MAY.18.2017
ONLY FOR
RELEASE



USB3.0兩對線鋁箔跟PCB板距離2~3mm
編織需跟雙面導電銅箔導通跟PCB板距離4~5mm

Item	Part Name	Material / Finish	Q'ty
11	Shrink Tube	L=25mm, Heat Shrink Tube With Adhesive Lined Color: Black	1 $\Delta 03$
10	Hood	Thermoplastic Color: Black	1
9	Micro USB-B 3.0 Receptacle	Housing: Thermoplastic, Color: Black Contacts: Copper Alloy, Finish: Au Plated Shell: Copper Alloy, Finish: Ni Plated	1
8	Cable	UL2725 (1P*28AWGEM)*2+(1PR*28AWG+A)+2C*24AWG+AB 85% Color: Black DD=5.5mm	1
7	Hold	Silicone Color: Black	1
6	Glue	Epoxy Color: Black	1
5	PCB	FR-4 Color: —	1
4	Micro USB-B 3.0 Receptacle	Housing: Thermoplastic, Color: Black Contacts: Copper Alloy, Finish: Au Plated Shell: Copper Alloy, Finish: Ni Plated	1
3	Gasket	Silicone Color: Black	1
2	Hex Nut	Thermoplastic Color: Black	1
1	Housing	Thermoplastic Color: Black	1



Recommend Panel Cut-Out

Conn.1	Color	Conn.2
1	Red	1
2	White	2
3	Green	3
5	Black	5
6	Blue	6
7	Yellow	7
8	Drain	8
9	Purple	9
10	Orange	10
Shell	Braid	Shell

Wiring Diagram

Part No.	Cable Length	Tol.
GT119300-07-02	2000 mm	+100
GT119300-07-01	1000 mm	+50
GT119300-07-29	900 mm	+50
GT119300-07-28	800 mm	+50
GT119300-07-27	700 mm	+50
GT119300-07-26	600 mm	+50
GT119300-07-25	500 mm	+50
GT119300-07-24	400 mm	+50
GT119300-07-23	300 mm	+25
GT119300-07-22	200 mm	+25
GT119300-07-21	100 mm	+25

GT Contact CO.,LTD

NOTICE OF PROPRIETARY PROPERTY:
THE INFORMATION CONTAINED HEREIN IS THE PROPRIETARY PROPERTY OF GT CONTACT CO.,LTD THE POSSESSOR AGREES TO THE FOLLOWING:
(A) TO MAINTAIN THIS DOCUMENT IN CONFIDENCE
(B) NOT TO REPRODUCE OR COPY IT
(C) NOT TO REVEAL OR PUBLISH IT IN WHOLE OR PART
(D) ALL RIGHTS RESERVED

TITLE						DRAWING NUMBER			REV.
Micro USB-B 3.0 Plastic C3 Panel Jack Screw With Cable + Micro USB-B 3.0 Receptacle						GT119300-07-XX			03
	B	N/A	Lucas 11/25/15	Lucas 11/25/15	Ray 11/25/15	X.X ± 0.5 X.XX ± 0.2	X.XXX ± 0.05 ANGLES ± 1°	mm	1/1
THIRD ANGLE PROJECTION	SIZE	SCALE	DRAW / DATE	CHECK / DATE	APPROVE / DATE	TOLERANCES		UNIT	SHEET