

1

2

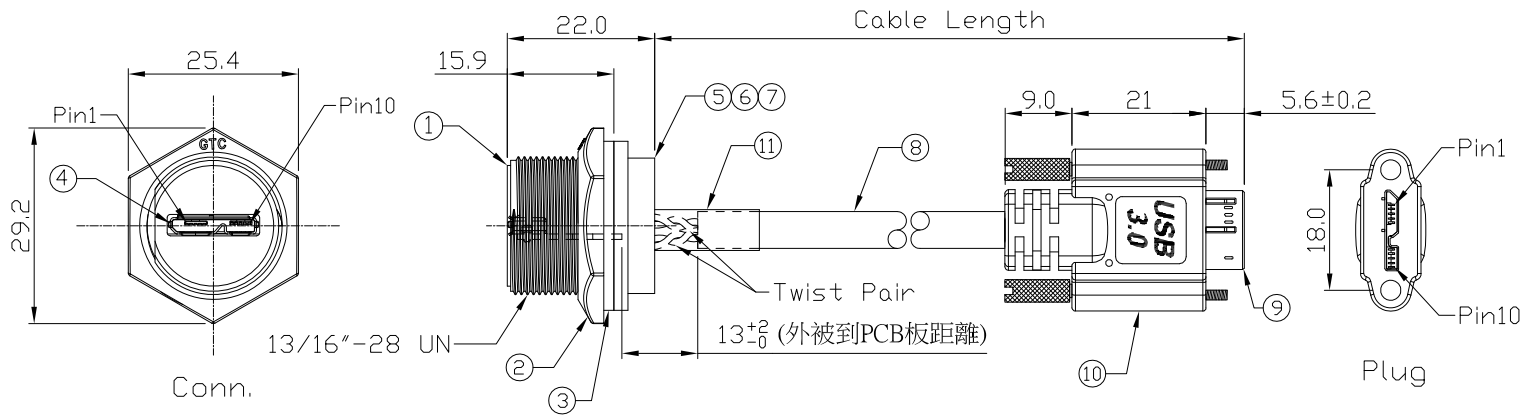
3

4

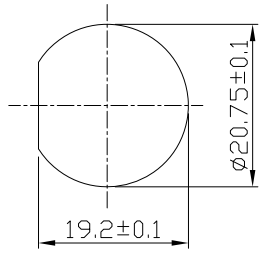
Notes: (Unless Otherwise Specified)

- 1. Waterproof Rate: IP67.
- 2. Recommend Panel Thickness: 0.8 to 5.0 mm.
- 3. Recommend Torque: 14~15 Kgf-cm.
- 4. Mating Cap P/N: GT1C5331X2.
- 5. RoHS Compliant.

REV	ECN#	DESCRIPTION OF REVISION	DRAW BY DATE	CHECK BY DATE	APPROVE BY DATE
A0	ECN-240623	STEEL WITH NICKEL PALTED=>STEEL WITH Au PALTED	Lucas 07/04/24	Lucas 07/04/24	Ray 07/04/24



11	Shrink Tube	L=25mm, Heat Shrink Tube With Adhesive Lined Color: Black	1
10	Over Mold	PVC Color: Black	1
9	Micro USB-B 3.0 Plug	Housing: Thermoplastic, Color: Black Contacts: Copper Alloy, Finish: Au Plated Shell: SPCC, Finish: Au Plated	1
8	Cable	UL2725 (1P*28AVGEAM)*2+(1PR*28AWG+A)+2C*24AWG+AB 85% Color: Black DD=5.5mm	1
7	Hold	Silicone Color: Black	1
6	Glue	Epoxy Color: Black	1
5	PCB	FR-4 Color: —	1
4	Micro USB-B 3.0 Receptacle	Housing: Thermoplastic, Color: Black Contacts: Copper Alloy, Finish: Au Plated Shell: Copper Alloy, Finish: Ni Plated	1
3	Gasket	Silicone Color: Black	1
2	Hex Nut	Thermoplastic Color: Black	1
1	Housing	Thermoplastic Color: Black	1
Item	Part Name	Material / Finish	Q'ty



Recommend Panel Cut-Out

1	Red	1
2	White	2
3	Green	3
5	Black	5
6	Blue	6
7	Yellow	7
8	Drain	8
9	Purple	9
10	Orange	10
Shell	Braid	Shell

Wiring Diagram

GT119300-04-02	2000 mm	+100
GT119300-04-01	1000 mm	+50
GT119300-04-29	900 mm	+50
GT119300-04-28	800 mm	+50
GT119300-04-27	700 mm	+50
GT119300-04-26	600 mm	+50
GT119300-04-25	500 mm	+50
GT119300-04-24	400 mm	+50
GT119300-04-23	300 mm	+25
GT119300-04-22	200 mm	+25
GT119300-04-21	100 mm	+25
Part No.	Cable Length	Tol.

GT Contact CO.,LTD

NOTICE OF PROPRIETARY PROPERTY:

THE INFORMATION CONTAINED HEREIN IS THE PROPRIETARY PROPERTY OF GT Contact CO.,LTD THE POSSESSOR AGREES TO THE FOLLOWING:
 (A) TO MAINTAIN THIS DOCUMENT IN CONFIDENCE
 (B) NOT TO REPRODUCE OR COPY IT
 (C) NOT TO REVEAL OR PUBLISH IT IN WHOLE OR PART
 (D) ALL RIGHTS RESERVED

TITLE						DRAWING NUMBER			REV.
Micro USB-B 3.0 Plastic C3 Panel Jack Screw With Cable + Micro USB-B 3.0 Plug						GT119300-04-XX			A0
	B	N/A	Lucas 11/25/15	Lucas 11/25/15	Ray 11/25/15	X.X ± 0.5 X.XX ± 0.2	X.XXX ± 0.05 ANGLES ± 1°	mm	1/1
THIRD ANGLE PROJECTION	SIZE	SCALE	DRAW / DATE	CHECK / DATE	APPROVE / DATE	TOLERANCES		UNIT	SHEET

1

2

3

4