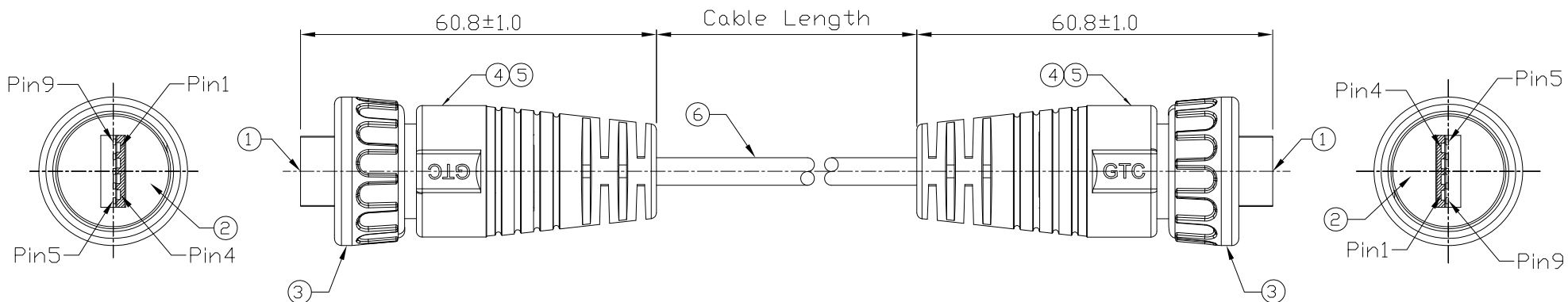


Notes: (Unless Otherwise Specified)

1. Waterproof Rate: IP67.
2. RoHS Compliant.

REV	ECN#	DESCRIPTION OF REVISION	DRAW BY DATE	CHECK BY DATE	APPROVE BY DATE
A2	ECN-141208	Modify Wiring Diagram	Lucas 12/24/14	Lucas 12/24/14	Ray 12/24/14
A3	ECN-150313	Cancel P/N: GT118320-0M-04~GT118320-0M-10	Joyce 03/17/05	Lucas 03/17/05	Ray 03/17/05
A4	ECN-150406	Modify Drawing Number	Joyce 04/30/15	Lucas 04/30/15	Ray 04/30/15



GTC  
DOC.CENTER.ISSUE  
MAY.05.2015  
ONLY FOR  
RELEASE

6	Cable	UL2725 (1P*28AWGEAM)*2+(1PR*28AWG+A)+2C*22AWG+AB 85% Color: Black, OD=5.5mm	1
5	Over Mold	PVC Color: Black	2
4	Inner Mold	Thermoplastic Color: Black	2
3	Screw Nut	Thermoplastic Color: Black	2
2	Rubber Pad	Silicone Color: Black	2
1	USB-A 3.0 Plug	Housing: Thermoplastic, Color: Blue Contacts: Copper Alloy, Finish: Au Plated Shell: Cold Roll Steel, Finish: Ni Plated	2
Item	Part Name	Material / Finish	Q'ty

1	Red	1
2	White	2
3	Green	3
4	Black	4
5	Blue	8
6	Yellow	9
7	Drain	7
8	Purple	5
9	Orange	6
Shell	Braid	Shell

GT118320-0M-03	3000 mm	±150
GT118320-0M-02	2000 mm	±100
GT118320-0M-01	1000 mm	±50
GT118320-0M-29	900 mm	±40
GT118320-0M-28	800 mm	±40
GT118320-0M-27	700 mm	±40
GT118320-0M-26	600 mm	±40
GT118320-0M-25	500 mm	±40
Part No.	Cable Length	Tol.

Wiring Diagram

GT Contact CO.,LTD

TITLE						DRAWING NUMBER			REV.
USB-A 3.0 Plastic C3 Cable End Twin-head Plug Screw						GT118320-0M-XX			A4
	B	1:1	Joyce 03/25/13	Lucas 03/25/13	Ray 03/25/13	X.X ± 0.5 X.XX ± 0.2	X.XXX ± 0.05 ANGLES ± 1°	mm	1/1
THIRD ANGLE PROJECTION	SIZE	SCALE	DRAW / DATE	CHECK / DATE	APPROVE / DATE	TOLERANCES		UNIT	SHEET

NOTICE OF PROPRIETARY PROPERTY:  
THE INFORMATION CONTAINED HEREIN IS THE PROPRIETARY PROPERTY OF GT Contact CO.,LTD THE POSSESSOR AGREES TO THE FOLLOWING:  
(a) TO MAINTAIN THIS DOCUMENT IN CONFIDENCE  
(b) NOT TO REPRODUCE OR COPY IT  
(c) NOT TO REVEAL OR PUBLISH IT IN WHOLE OR PART  
(d) ALL RIGHTS RESERVED