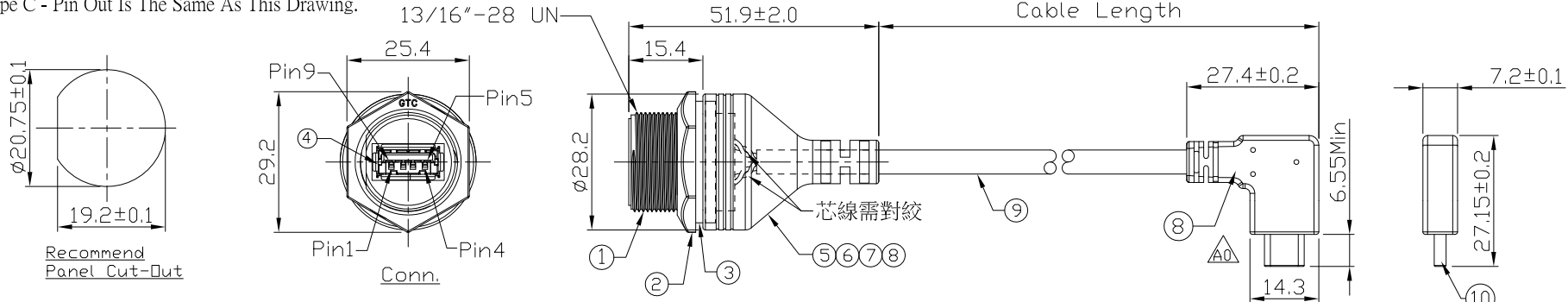


Notes: (Unless Otherwise Specified)

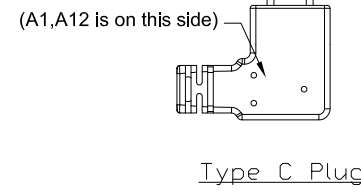
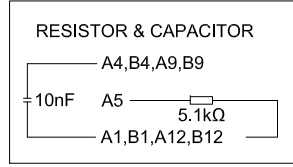
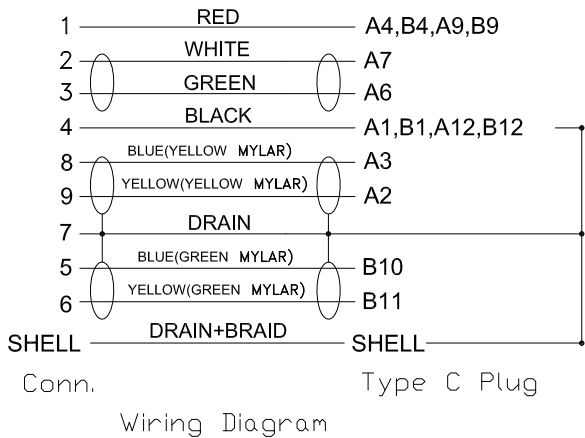
- 1. Waterproof Rate: IP67.
- 2. Recommend Panel Thickness: 0.8 to 6.0 mm.
- 3. Recommend Torque: 14~15 Kgf-cm.
- 4. Mating Cap P/N: GT1C5331X2.
- 5. RoHS Compliant.
- 6. Type C - Pin Out Is The Same As This Drawing.

REV	ECN#	DESCRIPTION OF REVISION	DRAW BY DATE	CHECK BY DATE	APPROVE BY DATE
A0	ECN-211203	Copper foil wrap => metal shell cover	Lucas 12/09/21	Lucas 12/09/21	Ray 12/09/21



GTC  
 DOC.CENTER.ISSUE  
 DEC.09.2021  
 ONLY FOR  
 RELEASE

10	USB Type C 3.1 Plug 90°	Housing: Thermoplastic, Color: Black Contacts: Copper Alloy, Finish: Au Plated Shell: Stainless Steel, Finish: Au Plated	1
9	Cable	UL2725 (IP/30#+EAM)*2*(IP/30#)*2(C/24#)+AEBAL65% DD50mm BLACK PVC JACKET.	1
8	Over Mold	PVC Color: Black	1
7	Inner Mold	Thermoplastic Color: Black Or White	1
6	Glue	Epoxy Color: Black	
5	PCB	FR-4 Color: —	1
4	USB-A 3.0 Receptacle	Housing: Thermoplastic, Color: Blue Contacts: Copper Alloy, Finish: Au Plated Shell: Copper Alloy, Finish: Ni Plated	1
3	Gasket	Silicone Color: Black	1
2	Hex Nut	Thermoplastic Color: Black	1
1	Housing	Thermoplastic Color: Black	1
Item	Part Name	Material / Finish	Qty



GT118310-0D-02	2000 mm	+100
GT118310-0D-01	1000 mm	+50
GT118310-0D-Z9	900 mm	+50
GT118310-0D-Z8	800 mm	+50
GT118310-0D-Z7	700 mm	+50
GT118310-0D-Z6	600 mm	+50
GT118310-0D-Z5	500 mm	+50
GT118310-0D-Z4	400 mm	+50
GT118310-0D-Z3	300 mm	+25
GT118310-0D-Z2	200 mm	+25
GT118310-0D-Z1	100 mm	+25
Part No.	Cable Length	Tol.

GT Contact CO.,LTD

NOTICE OF PROPRIETARY PROPERTY:  
 THE INFORMATION CONTAINED HEREIN IS THE PROPRIETARY PROPERTY OF GT CONTACT CO.,LTD THE POSSESSOR AGREES TO THE FOLLOWING:  
 (A) TO MAINTAIN THIS DOCUMENT IN CONFIDENCE  
 (B) NOT TO REPRODUCE OR COPY IT  
 (C) NOT TO REVEAL OR PUBLISH IT IN WHOLE OR PART  
 (D) ALL RIGHTS RESERVED

TITLE						DRAWING NUMBER			REV.
USB-A 3.0 Plastic C3 Panel Jack Screw With Type C Plug Right/Left						GT118310-0D-XX			A0
DD NOT SCALE DRAWINGS	B	N/A	Hank 12/03/20	Lucas 12/03/20	Ray 12/03/20	X.X ± 0.5 X.XX ± 0.2	X.XXX ± 0.05 ANGLES ± 1°	mm	1/1
THIRD ANGLE PROJECTION	SIZE	SCALE	DRAW / DATE	CHECK / DATE	APPROVE / DATE	TOLERANCES		UNIT	SHEET