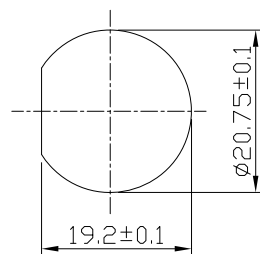
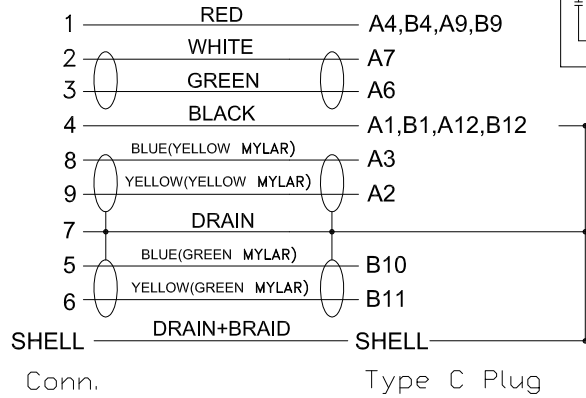
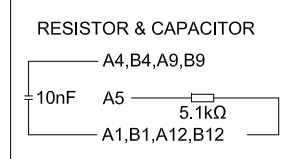
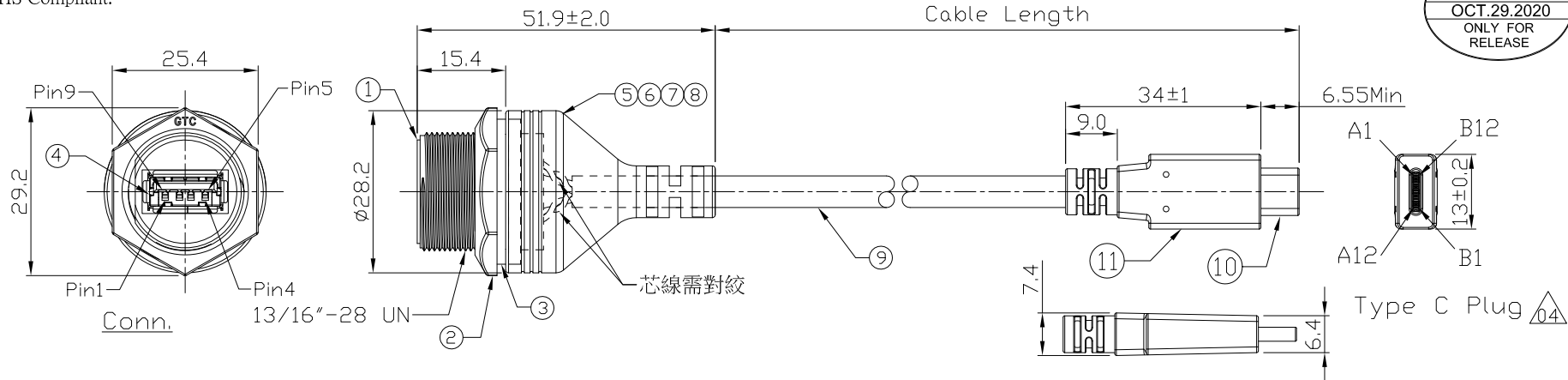
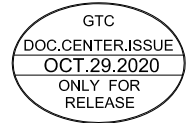


Notes: (Unless Otherwise Specified)

- 1. Waterproof Rate: IP67.
- 2. Recommend Panel Thickness: 0.8 to 6.0 mm.
- 3. Recommend Torque: 14~15 Kgf-cm.
- 4. Mating Cap P/N: GT1C5331X2.
- 5. RoHS Compliant.

REV	ECN#	DESCRIPTION OF REVISION	DRAW BY DATE	CHECK BY DATE	APPROVE BY DATE
04	ECN-201015	Copper foil wrap => metal shell cover	Lucas 10/27/20	Lucas 10/27/20	Ray 10/27/20



Item	Part Name	Material / Finish	Qty
11	Over Mold	PVC Color: Black	1
10	USB Type C 3.1 Plug	Housing: Thermoplastic, Color: Black Contacts: Copper Alloy, Finish: Au Plated Shell: Stainless Steel, Finish: Au Plated	1
9	Cable	UL2725 (IP/30#+EAM)*2*(IP/30#)*2C/24#*+AEBAL65% DD50mm BLACK PVC JACKET.	1
8	Over Mold	PVC Color: Black	1
7	Inner Mold	Thermoplastic Color: Black Or White	1
6	Glue	Epoxy Color: Black	
5	PCB	FR-4 Color: —	1
4	USB-A 3.0 Receptacle	Housing: Thermoplastic, Color: Blue Contacts: Copper Alloy, Finish: Au Plated Shell: Copper Alloy, Finish: Ni Plated	1
3	Gasket	Silicone Color: Black	1
2	Hex Nut	Thermoplastic Color: Black	1
1	Housing	Thermoplastic Color: Black	1

Part No.	Cable Length	Tol.
GT118310-0C-02	2000 mm	+100
GT118310-0C-01	1000 mm	+50
GT118310-0C-Z9	900 mm	+50
GT118310-0C-Z8	800 mm	+50
GT118310-0C-Z7	700 mm	+50
GT118310-0C-Z6	600 mm	+50
GT118310-0C-Z5	500 mm	+50
GT118310-0C-Z4	400 mm	+50
GT118310-0C-Z3	300 mm	+25
GT118310-0C-Z2	200 mm	+25
GT118310-0C-Z1	100 mm	+25

TITLE USB-A 3.0 Plastic C3 Panel Jack Screw With Cable + Type C Plug				DRAWING NUMBER GT118310-0C-XX			REV. 04	
DD NOT SCALE DRAWINGS	B	N/A	Viola 03/08/18	Lucas 03/08/18	Ray 03/08/18	X.X ± 0.5 X.XX ± 0.2	X.XXX ± 0.05 ANGLES ± 1°	mm 1/1
THIRD ANGLE PROJECTION	SIZE	SCALE	DRAW / DATE	CHECK / DATE	APPROVE / DATE	TOLERANCES		UNIT SHEET

GT Contact CO.,LTD

NOTICE OF PROPRIETARY PROPERTY:
THE INFORMATION CONTAINED HEREIN IS THE PROPRIETARY PROPERTY OF GT CONTACT CO.,LTD THE POSSESSOR AGREES TO THE FOLLOWING:
(a) TO MAINTAIN THIS DOCUMENT IN CONFIDENCE
(b) NOT TO REPRODUCE OR COPY IT
(c) NOT TO REVEAL OR PUBLISH IT IN WHOLE OR PART
(d) ALL RIGHTS RESERVED