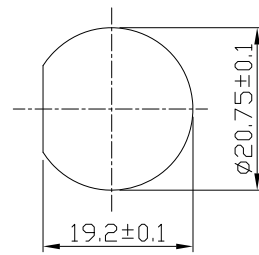
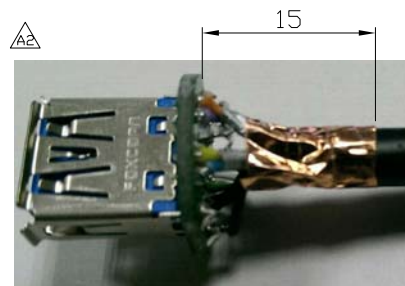
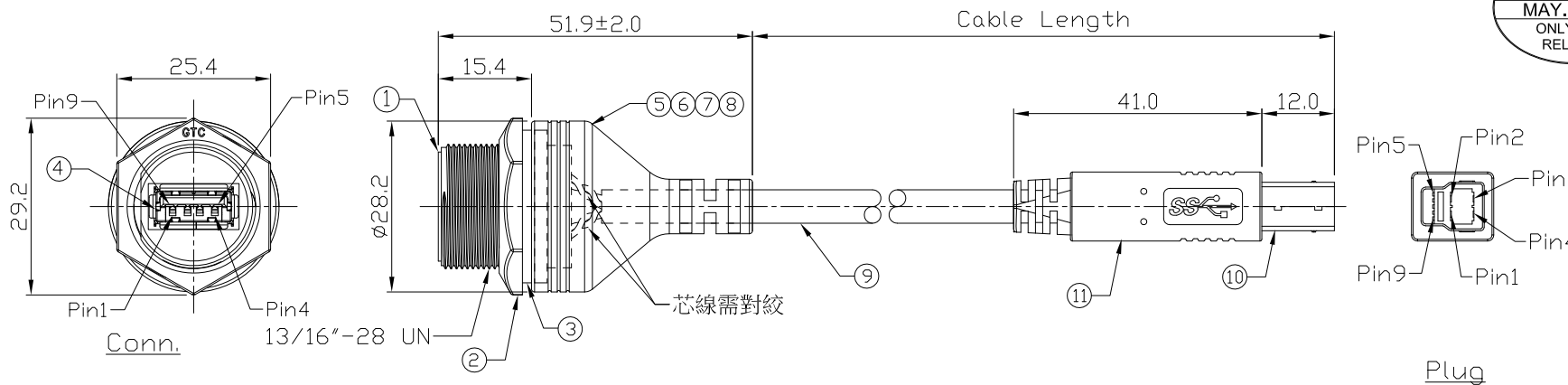


Notes: (Unless Otherwise Specified)

- 1. Waterproof Rate: IP67.
- 2. Recommend Panel Thickness: 0.8 to 6.0 mm.
- 3. Recommend Torque: 14~15 Kgf-cm.
- 4. Mating Cap P/N: GT1C5331X2.
- 5. RoHS & REACH Compliant.

REV	ECN#	DESCRIPTION OF REVISION	DRAW BY DATE	CHECK BY DATE	APPROVE BY DATE
A2	ECN-170506	增加導電銅箔的位置示意圖	Joyce 05/12/17	Lucas 05/12/17	Ray 05/12/17

GTC  
DOC.CENTER.ISSUE  
MAY.15.2017  
ONLY FOR  
RELEASE



1	Red	1
2	White	2
3	Green	3
4	Black	4
5	Blue	5
6	Yellow	6
7	Drain	7
8	Purple	8
9	Orange	9
Shell	Braid	Shell

Conn. Wiring Diagram Plug

Part No.	Cable Length	Tol.
GT118310-05-02	2000 mm	±100
GT118310-05-01	1000 mm	±50
GT118310-05-29	900 mm	±40
GT118310-05-28	800 mm	±40
GT118310-05-27	700 mm	±40
GT118310-05-26	600 mm	±40
GT118310-05-25	500 mm	±40
GT118310-05-24	400 mm	±20
GT118310-05-23	300 mm	±20
GT118310-05-22	200 mm	±10
GT118310-05-21	100 mm	±10

Item	Part Name	Material / Finish	Qty
11	Over Mold	PVC Color: Black	1
10	USB-B 3.0 Plug	Housing: Thermoplastic, Color: Blue Contacts: Copper Alloy, Finish: Au Plated Shell: SPCC, Finish: Ni Plated	1
9	Cable	UL2725 (1P*28AWG+EAM)*2+(1PR*28AWG+A)+2C*22AWG+AB 85% Color: Black DD=5.5mm	1
8	Over Mold	PVC Color: Black	1
7	Inner Mold	Thermoplastic Color: Black Or White	1
6	Glue	Epoxy Color: Black	1
5	PCB	FR-4 Color: —	1
4	USB-A 3.0 Receptacle	Housing: Thermoplastic, Color: Blue Contacts: Copper Alloy, Finish: Au Plated Shell: Copper Alloy, Finish: Ni Plated	1
3	Gasket	Silicone Color: Black	1
2	Hex Nut	Thermoplastic Color: Black	1
1	Housing	Thermoplastic Color: Black	1

GT Contact CO.,LTD

NOTICE OF PROPRIETARY PROPERTY:  
THE INFORMATION CONTAINED HEREIN IS THE PROPRIETARY PROPERTY OF GT CONTACT CO.,LTD. THE POSSESSOR AGREES TO THE FOLLOWING:  
(1) TO MAINTAIN THIS DOCUMENT IN CONFIDENCE  
(2) NOT TO REPRODUCE OR COPY IT  
(3) NOT TO REVEAL OR PUBLISH IT IN WHOLE OR PART  
(4) ALL RIGHTS RESERVED

TITLE USB-A 3.0 Plastic C3 Panel Jack Screw With Cable + USB-B 3.0 Plug						DRAWING NUMBER GT118310-05-XX			REV. A2	
	B	N/A	Lucas 05/09/14	Ray 05/09/14	Ray 05/09/14	X.X ± 0.5 X.XX ± 0.2	X.XXX ± 0.05 ANGLES ± 1°	mm	1/1	
THIRD ANGLE PROJECTION	SIZE	SCALE	DRAW / DATE	CHECK / DATE	APPROVE / DATE	TOLERANCES		UNIT	SHEET	