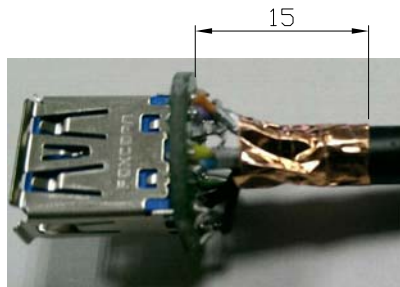
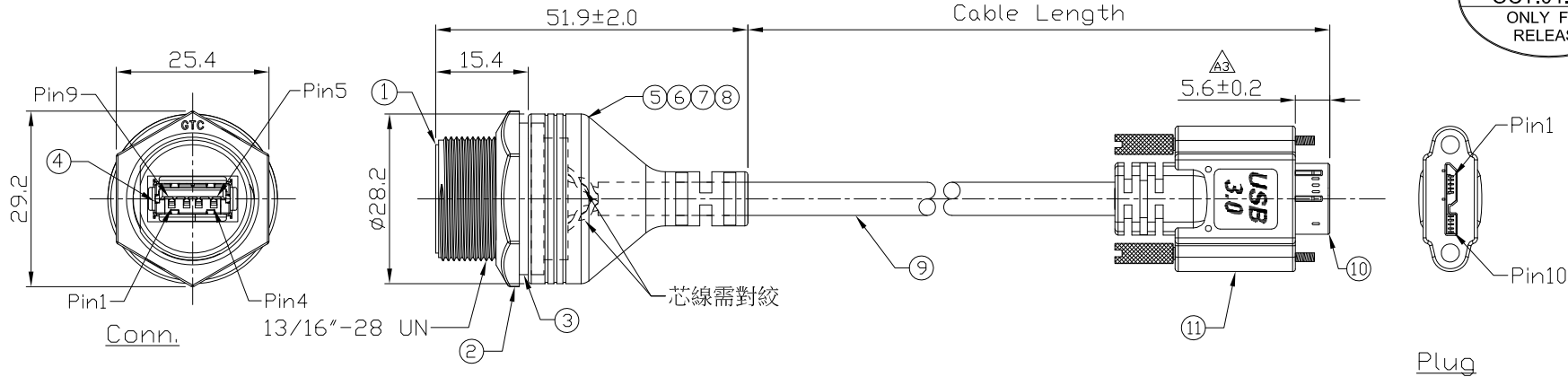


Notes: (Unless Otherwise Specified)

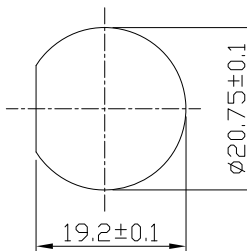
- 1. Waterproof Rate: IP67.
- 2. Recommend Panel Thickness: 0.8 to 6.0 mm.
- 3. Recommend Torque: 14~15 Kgf-cm.
- 4. Mating Cap P/N: GT1C5331X2.
- 5. RoHS Compliant.

REV	ECN#	DESCRIPTION OF REVISION	DRAW BY DATE	CHECK BY DATE	APPROVE BY DATE
A3	ECN-180926	Modify Drawing	Lucas 10/04/18	Lucas 10/04/18	Ray 10/04/18

GTC
DOC.CENTER.ISSUE
OCT.04.2018
ONLY FOR
RELEASE



USB3.0兩對線鉛箔跟PCB板距離2~3mm
編織帶跟雙面導電銅箔導通跟PCB板距離4~5mm



Recommend Panel Cut-Out

1	Red	1
2	White	2
3	Green	3
4	Black	5
5	Blue	6
6	Yellow	7
7	Drain	8
8	Purple	9
9	Orange	10
Shell	Braid	Shell

Conn. Plug Wiring Diagram

Part No.	Cable Length	Tol.
GT118310-04-02	2000 mm	±100
GT118310-04-01	1000 mm	±50
GT118310-04-29	900 mm	±40
GT118310-04-28	800 mm	±40
GT118310-04-27	700 mm	±40
GT118310-04-26	600 mm	±40
GT118310-04-25	500 mm	±40
GT118310-04-24	400 mm	±20
GT118310-04-23	300 mm	±20
GT118310-04-22	200 mm	±10
GT118310-04-21	100 mm	±10

Item	Part Name	Material / Finish	Qty
11	Over Mold	PVC Color: Black	1
10	Micro USB-B 3.0 Plug	Housing: Thermoplastic, Color: Black Contacts: Copper Alloy, Finish: Au Plated Shell: SPCC, Finish: Ni Plated	1
9	Cable	UL2725 (1P*28AWGEM)*2+(1PR*28AWG+A)+2C*24AWG+AB 85% Color: Black DD=5.5mm	1
8	Over Mold	PVC Color: Black	1
7	Inner Mold	Thermoplastic Color: Black Or White	1
6	Glue	Epoxy Color: Black	1
5	PCB	FR-4 Color: —	1
4	USB-A 3.0 Receptacle	Housing: Thermoplastic, Color: Blue Contacts: Copper Alloy, Finish: Au Plated Shell: Copper Alloy, Finish: Ni Plated	1
3	Gasket	Silicone Color: Black	1
2	Hex Nut	Thermoplastic Color: Black	1
1	Housing	Thermoplastic Color: Black	1

GT Contact CO.,LTD

NOTICE OF PROPRIETARY PROPERTY:
THE INFORMATION CONTAINED HEREIN IS THE PROPRIETARY PROPERTY OF GT CONTACT CO.,LTD THE POSSESSOR AGREES TO THE FOLLOWING:
(a) TO MAINTAIN THIS DOCUMENT IN CONFIDENCE
(b) NOT TO REPRODUCE OR COPY IT
(c) NOT TO REVEAL OR PUBLISH IT IN WHOLE OR PART
(d) ALL RIGHTS RESERVED

TITLE USB-A 3.0 Plastic C3 Panel Jack Screw With Cable + Micro USB-B 3.0 Plug						DRAWING NUMBER GT118310-04-XX			REV. A3	
DD NOT SCALE DRAWINGS		B	N/A	Lucas 08/08/14	Ray 08/08/14	Ray 08/08/14	X.X ± 0.5 X.XX ± 0.2		X.XXX ± 0.05 ANGLES ± 1°	
THIRD ANGLE PROJECTION		SIZE	SCALE	DRAW / DATE	CHECK / DATE	APPROVE / DATE	TOLERANCES		UNIT	SHEET