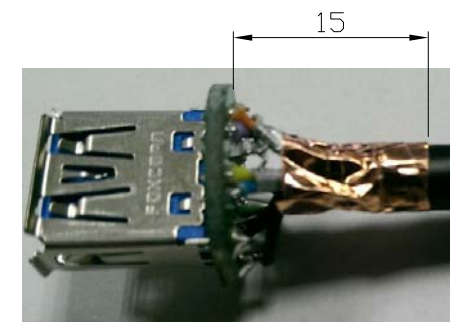
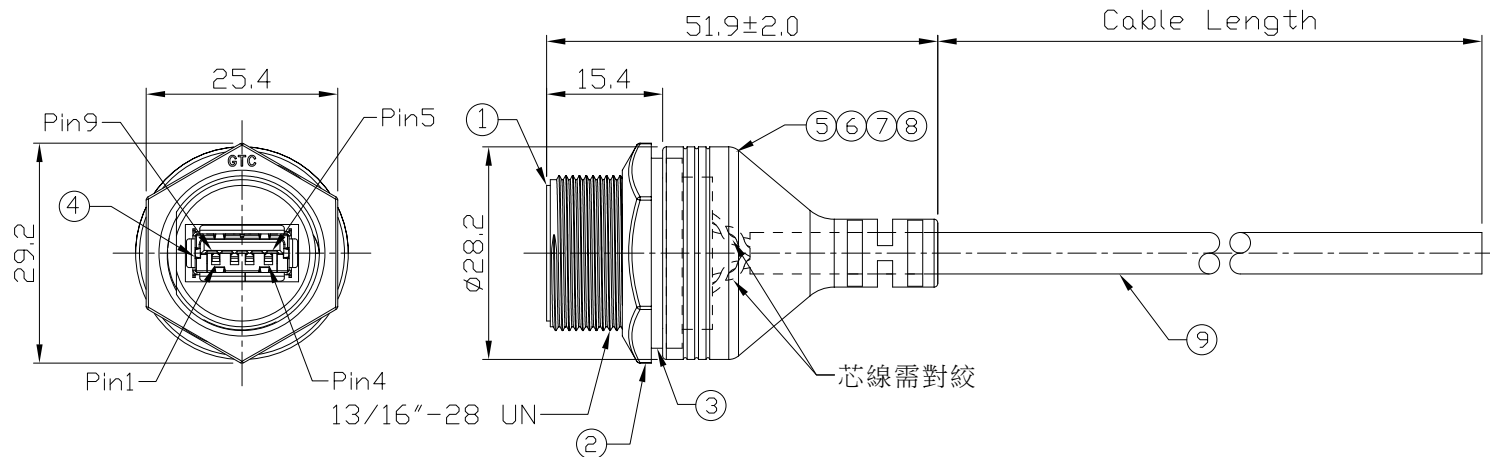


Notes: (Unless Otherwise Specified)

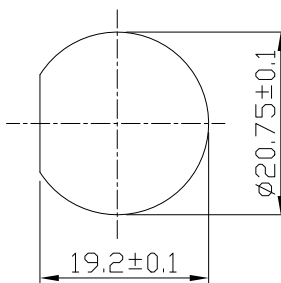
- 1. Waterproof Rate: IP67.
- 2. Recommend Panel Thickness: 0.8 to 6.0 mm.
- 3. Recommend Torque: 14~15 Kgf-cm.
- 4. Mating Cap P/N: GT1C5331X2.
- 5. RoHS & REACH Compliant.

REV	ECN#	DESCRIPTION OF REVISION	DRAW BY DATE	CHECK BY DATE	APPROVE BY DATE
03	ECN-201118	Change P/N: GT118310-03-XX to GT118310-01-XX	Hank 11/17/20	Lucas 11/17/20	Roy 11/17/20



USB3.0兩對線鋁箔跟PCB板距離2~3mm
編織需跟雙面導電銅箔導通跟PCB板距離4~5mm

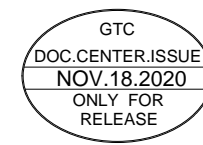
Item	Part Name	Material / Finish	Q'ty
9	Cable	UL2725 (1P*28AWG+EAM)*2+(1PR*28AWG+A)+2C*22AWG+AB 85% Color: Black OD=5.5mm	1
8	Over Mold	PVC Color: Black	1
7	Inner Mold	Thermoplastic Color: Black Or White	1
6	Glue	Epoxy Color: Black	1
5	PCB	FR-4 Color: —	1
4	USB-A 3.0 Receptacle	Housing: Thermoplastic, Color: Blue Contacts: Copper Alloy, Finish: Au Plated Shell: Copper Alloy, Finish: Ni Plated	1
3	Gasket	Silicone Color: Black	1
2	Hex Nut	Thermoplastic Color: Black	1
1	Housing	Thermoplastic Color: Black	1



Recommend Panel Cut-Out

Color	Wiring Diagram
1 Red	
2 White	
3 Green	
4 Black	
5 Blue	
6 Yellow	
7 Drain	
8 Purple	
9 Orange	
Shell	Braid

Wiring Diagram



Part No.	Cable Length	Tol.
GT118310-01-02	2000 mm	+100
GT118310-01-01	1000 mm	+50
GT118310-01-Z9	900 mm	+50
GT118310-01-Z8	800 mm	+50
GT118310-01-Z7	700 mm	+50
GT118310-01-Z6	600 mm	+50
GT118310-01-Z5	500 mm	+50
GT118310-01-Z4	400 mm	+50
GT118310-01-Z3	300 mm	+25
GT118310-01-Z2	200 mm	+25
GT118310-01-Z1	100 mm	+25

GT Contact CO.,LTD

NOTICE OF PROPRIETARY PROPERTY:
THE INFORMATION CONTAINED HEREIN IS THE PROPRIETARY PROPERTY OF GT Contact CO.,LTD THE POSSESSOR AGREES TO THE FOLLOWING:
(i) TO MAINTAIN THIS DOCUMENT IN CONFIDENCE
(ii) NOT TO REPRODUCE OR COPY IT
(iii) NOT TO REVEAL OR PUBLISH IT IN WHOLE OR PART
(iv) ALL RIGHTS RESERVED

TITLE						DRAWING NUMBER			REV.	
USB-A 3.0 Plastic C3 Panel Jack Screw With Cable						GT118310-01-XX			03	
DO NOT SCALE DRAWINGS		B	1:1	Joyce 05/31/16	Lucas 05/31/16	Ray 05/31/16	X.X ± 0.5	X.XXX ± 0.05	mm	1/1
THIRD ANGLE PROJECTION		SIZE	SCALE	DRAW / DATE	CHECK / DATE	APPROVE / DATE	TOLERANCES		UNIT	SHEET