

1

2

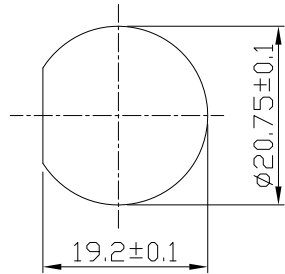
3

4

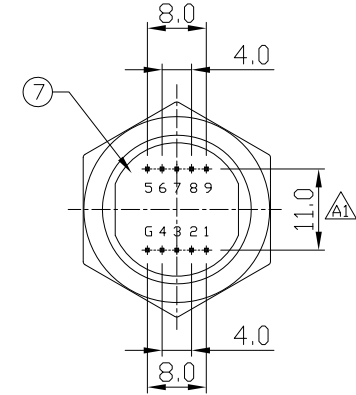
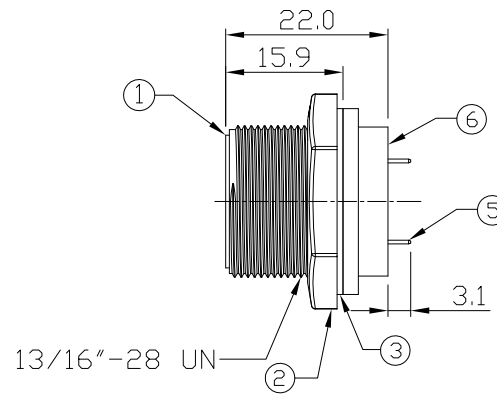
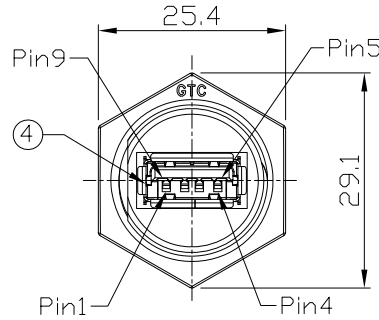
Notes: (Unless Otherwise Specified)

- 1. Waterproof Rate: IP67.
- 2. Recommend Panel Thickness: 0.8 to 6.0 mm.
- 3. Recommend Torque: 14~15 Kgf-cm.
- 4. Mating Cap P/N: GT1C5331X2.
- 5. RoHS Compliant.

| REV | ECN# | DESCRIPTION OF REVISION | DRAW BY DATE | CHECK BY DATE | APPROVE BY DATE |
|-----|------------|---------------------------------------------------|-------------------|-------------------|-----------------|
| A1 | ECN-141208 | Modify Layout Pitch | Lucas 12/24/14 | Lucas 12/24/14 | Ray 12/24/14 |
| A2 | ECN-150406 | Modify Drawing Number GT118300-10->GT118300-10 | Joyce 04/30/15 | Lucas 04/30/15 | Ray 04/30/15 |

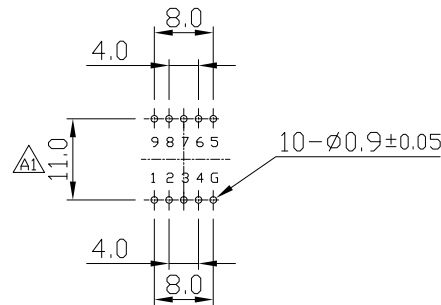


Recommend Panel Cut-Out



GTC
DOC.CENTER.ISSUE
MAY.05.2015
ONLY FOR
RELEASE

| 7 | Glue | Epoxy Color: Black | |
|------|----------------------|-------------------------------------------------------------------------------------------------------------------|------|
| 6 | PCB | FR-4 Color: Green | 1 |
| 5 | Pin Header | Housing: Thermoplastic, Color: Black Contacts: Copper Alloy, Finish: Au Plated | 2 |
| 4 | USB-A 3.0 Receptacle | Housing: Thermoplastic, Color: Blue Contacts: Copper Alloy, Finish: Au Plated Shell: Stainless, Finish: Non | 1 |
| 3 | Gasket | Silicone Color: Black | 1 |
| 2 | Hex Nut | Thermoplastic Color: Black | 1 |
| 1 | Housing | Thermoplastic Color: Black | 1 |
| Item | Part Name | Material / Finish | Q'ty |



Recommend PCB Layout

| USB 3.0 TYPE A | | | |
|----------------|-------------|--------------------------|--------------------|
| Pin | Signal Name | Description | Mating Cable Color |
| 1 | VBUS | Power | Red |
| 2 | D- | USB 2.0 | White |
| 3 | D+ | Differential Pair | Green |
| 4 | GND | Ground For Power Return | Black |
| 5 | StdA_SSRX- | SuperSpeed Receiver | Blue |
| 6 | StdA_SSRX+ | Differential Pair | Yellow |
| 7 | GND_Drain | Ground For Signal Return | Drain-Wire |
| 8 | StdA_SSTX- | SuperSpeed Transmitter | Purple |
| 9 | StdA_SSTX+ | Differential Pair | Orange |
| G | Shell | Connector Metal Shell | Drain-Wire |

GT Contact CO.,LTD

NOTICE OF PROPRIETARY PROPERTY:

THE INFORMATION CONTAINED HEREIN IS THE PROPRIETARY PROPERTY OF GT CONTACT CO.,LTD THE POSSESSOR AGREES TO THE FOLLOWING:
 (1) TO MAINTAIN THIS DOCUMENT IN CONFIDENCE
 (2) NOT TO REPRODUCE OR COPY IT
 (3) NOT TO REVEAL OR PUBLISH IT IN WHOLE OR PART
 (4) ALL RIGHTS RESERVED

| TITLE | | | | | | DRAWING NUMBER | | | REV. | |
|-------------------------------------------|------|-------|----------------|----------------|----------------|-------------------------|-----------------------------|------|-------|--|
| USB-A 3.0 Plastic C3 Panel Jack Dip Screw | | | | | | GT118300-10 | | | A2 | |
| | B | 1:1 | Vicky 05/24/11 | Lucas 05/24/11 | Ray 05/24/11 | X.X ± 0.5 X.XX ± 0.2 | X.XXX ± 0.05 ANGLES ± 1° | mm | 1/1 | |
| THIRD ANGLE PROJECTION | SIZE | SCALE | DRAW / DATE | CHECK / DATE | APPROVE / DATE | TOLERANCES | | UNIT | SHEET | |

1

2

3

4