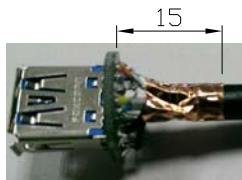
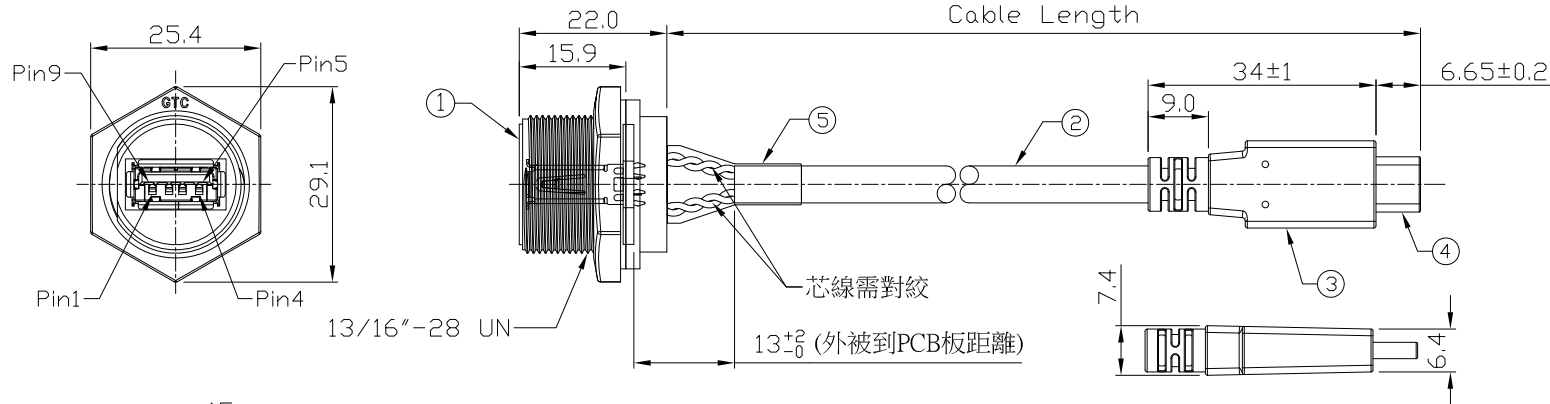


Notes: (Unless Otherwise Specified)

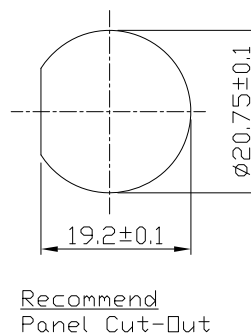
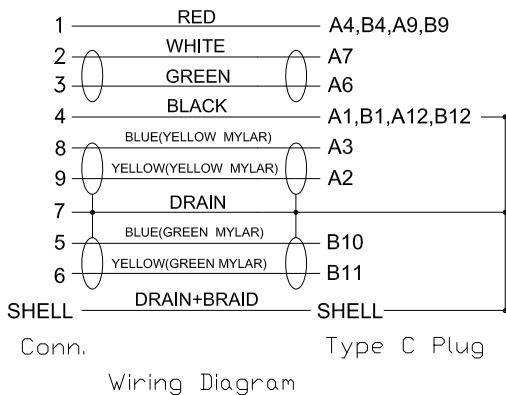
- 1. Waterproof Rate: IP67.
- 2. Recommend Panel Thickness: 0.8 to 6.0 mm.
- 3. Recommend Torque: 14~15 Kgf-cm.
- 4. Mating Cap P/N: GT1C5331X2.
- 5. RoHS & REACH Compliant.
- 6. Type C AB面接點需跟圖面一致.

REV	ECN#	DESCRIPTION OF REVISION	DRAW BY DATE	CHECK BY DATE	APPROVE BY DATE
A0			Jenny 02/22/22	Lucas 02/22/22	Ray 02/22/22

GTC
DOC.CENTER.ISSUE
FEB.23.2022
ONLY FOR
RELEASE



USB3.0兩對線鋁箔跟PCB板距離2~3mm
編織需跟雙面導電銅箔導通跟PCB板距離4~5mm



Part No.	Cable Length	Tol.
GT118300-0C-05	5000 mm	+150
GT118300-0C-04	4000 mm	+150
GT118300-0C-03	3000 mm	+100
GT118300-0C-02	2000 mm	+100
GT118300-0C-01	1000 mm	+50
GT118300-0C-Z9	900 mm	+50
GT118300-0C-Z8	800 mm	+50
GT118300-0C-Z7	700 mm	+50
GT118300-0C-Z6	600 mm	+50
GT118300-0C-Z5	500 mm	+50
GT118300-0C-Z4	400 mm	+50
GT118300-0C-Z3	300 mm	+25
GT118300-0C-Z2	200 mm	+25
GT118300-0C-Z1	100 mm	+25

Item	Part Name	Material / Finish	Q'ty
5	Shrink Tube	L=25mm, Heat Shrink Tube With Adhesive Lined Color: Black	1
4	Over Mold	PVC Color: Black	1
3	USB Type C 3.1 Plug	Housing: Thermoplastic, Color: Black Contacts: Copper Alloy, Finish: Au Plated Shell: Stainless Steel, Finish: Au Plated	1
2	Cable	UL2725 (1P/30#+EAM)*2+(1P/30#+(2C/24#+AEB(AL)65% Color: Black, OD=5.0mm PVC JACKET.	1
1	USB-A 3.0 C3 Panel Jack	GT Contact P/N: GT118300-01-XX	1

TITLE						DRAWING NUMBER			REV.	
USB-A 3.0 Plastic C3 Panel Jack Screw With Cable + Type C Plug						GT118300-0C-XX			A0	
THIRD ANGLE PROJECTION	SIZE	SCALE	DRAW / DATE	CHECK / DATE	APPROVE / DATE	TOLERANCES	UNIT	SHEET		
	B	1:1	Jenny 02/22/22	Lucas 02/22/22	Ray 02/22/22	X.X ± 0.5 X.XX ± 0.2	mm	1/1		
						X.XXX ± 0.05 ANGLES ± 1°				

GT Contact CO.,LTD

NOTICE OF PROPRIETARY PROPERTY:

THE INFORMATION CONTAINED HEREIN IS THE PROPRIETARY PROPERTY OF GT CONTACT CO.,LTD THE POSSESSOR AGREES TO THE FOLLOWING:

(A) TO MAINTAIN THIS DOCUMENT IN CONFIDENCE

(B) NOT TO REPRODUCE OR COPY IT

(C) NOT TO REVEAL OR PUBLISH IT IN WHOLE OR PART

(D) ALL RIGHTS RESERVED