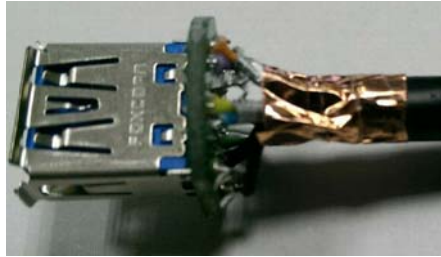


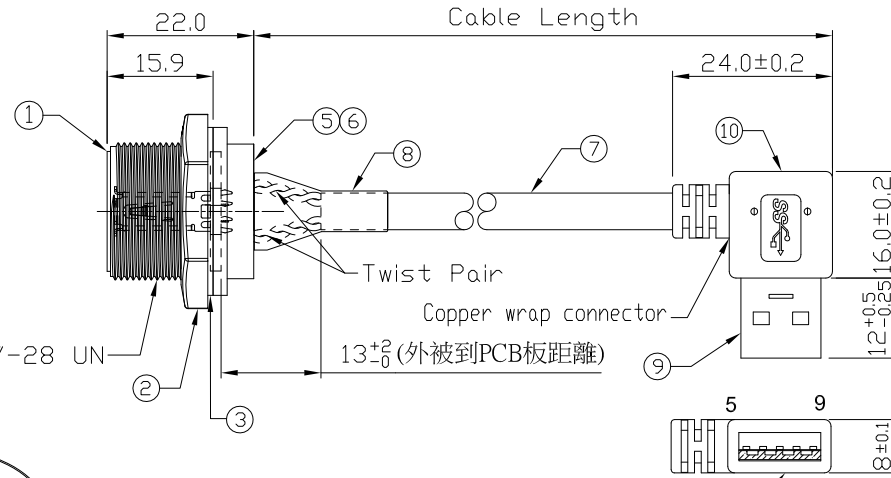
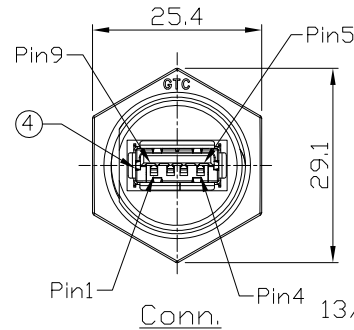
Notes: (Unless Otherwise Specified)

- 1. Waterproof Rate: IP67.
- 2. Recommend Panel Thickness: 0.8 to 6.0 mm.
- 3. Recommend Torque: 14~15 Kgf-cm.
- 4. Mating Cap P/N: GT1C5331X2.
- 5. RoHS Compliant.

| REV | ECN# | DESCRIPTION OF REVISION | DRAW BY DATE | CHECK BY DATE | APPROVE BY DATE |
|-----|------|-------------------------|------------------|-------------------|-----------------|
| 01 | | | Hank 06/16/20 | Lucas 06/16/20 | Ray 06/16/20 |



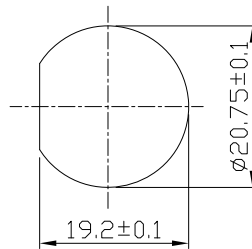
USB3.0兩對線鋁箔跟PCB板距離2~3mm
編織需跟雙面導電銅箔導通跟PCB板距離4~5mm



GTC
DOC.CENTER.ISSUE
JUN.16.2020
ONLY FOR
RELEASE

Plastic Tongue
(Black Shaded Area)
USB3.0 A MALE
RIGHT ANGLE RIGHT
MOLDED BLACK

| Item | Part Name | Material / Finish | Q'ty |
|------|-------------------------------------|--|------|
| 10 | Over Mold | PVC Color: Black | 1 |
| 9 | USB-A 3.0 Plug Right Angle Right | Housing: Thermoplastic, Color: Blue Contacts: Copper Alloy, Finish: Au Plated Shell: Steel, Finish: Au Plated | 1 |
| 8 | Shrink Tube | L=25mm, Heat Shrink Tube With Adhesive Lined Color: Black | 1 |
| 7 | Cable | UL2725 (1P*28AWG+EAM)*2+(1PR*28AWG+A)+2C*24AWG+AB 85% Color: Black, DD=5.5mm | 1 |
| 6 | Glue | Epoxy Color: Black | 1 |
| 5 | PCB | FR-4 Color: — | 1 |
| 4 | USB-A 3.0 Receptacle | Housing: Thermoplastic, Color: Blue Contacts: Copper Alloy, Finish: Au Plated Shell: Copper Alloy, Finish: Ni Plated | 1 |
| 3 | Gasket | Silicone Color: Black | 1 |
| 2 | Hex Nut | Thermoplastic Color: Black | 1 |
| 1 | Housing | Thermoplastic Color: Black | 1 |



Recommend
Panel Cut-Out



Conn. USB Plug
Wiring Diagram

| Part No. | Cable Length | Tol. |
|----------------|--------------|------|
| GT118300-0A-02 | 2000 mm | +100 |
| GT118300-0A-01 | 1000 mm | +50 |
| GT118300-0A-Z9 | 900 mm | +50 |
| GT118300-0A-Z8 | 800 mm | +50 |
| GT118300-0A-Z7 | 700 mm | +50 |
| GT118300-0A-Z6 | 600 mm | +50 |
| GT118300-0A-Z5 | 500 mm | +50 |
| GT118300-0A-Z4 | 400 mm | +50 |
| GT118300-0A-Z3 | 300 mm | +25 |
| GT118300-0A-Z2 | 200 mm | +25 |
| GT118300-0A-Z1 | 100 mm | +20 |

GT Contact CO.,LTD

NOTICE OF PROPRIETARY PROPERTY:
THE INFORMATION CONTAINED HEREIN IS THE PROPRIETARY PROPERTY OF GT Contact CO.,LTD THE POSSESSOR AGREES TO THE FOLLOWING:
(1) TO MAINTAIN THIS DOCUMENT IN CONFIDENCE
(2) NOT TO REPRODUCE OR COPY IT
(3) NOT TO REVEAL OR PUBLISH IT IN WHOLE OR PART
(4) ALL RIGHTS RESERVED

| TITLE | | | | DRAWING NUMBER | | | REV. | |
|---|------|-------|---------------|----------------|----------------|-----------------------------|------|-------|
| USB-A 3.0 Plastic C3 Panel Jack Screw With Cable + USB-A 3.0 Plug Right Angle Right | | | | GT118300-0A-XX | | | 01 | |
| THIRD ANGLE PROJECTION | SIZE | SCALE | DRAW / DATE | CHECK / DATE | APPROVE / DATE | TOLERANCES | UNIT | SHEET |
| | B | N/A | Hank 06/16/20 | Lucas 06/16/20 | Ray 06/16/20 | XX ± 0.5 X.XX ± 0.2 | mm | 1/1 |
| | | | | | | X.XXX ± 0.05 ANGLES ± 1° | | |