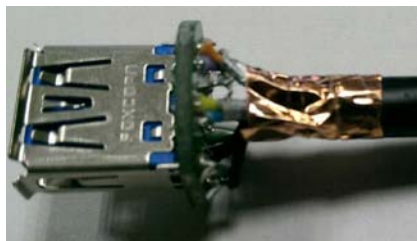
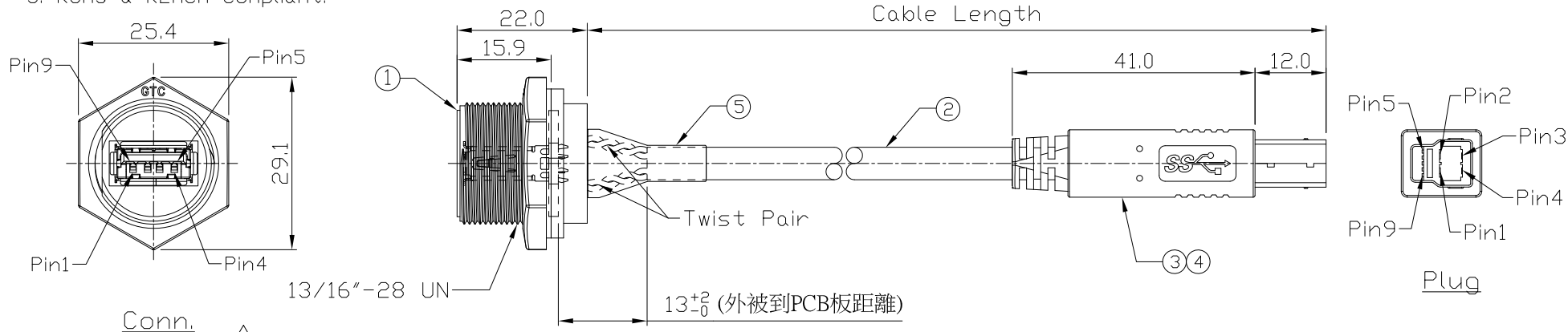


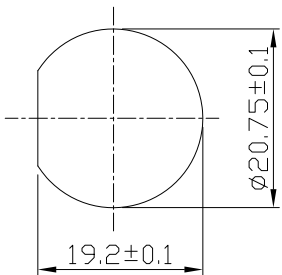
REV	ECN#	DESCRIPTION OF REVISION	DRAW BY DATE	CHECK BY DATE	APPROVE BY DATE
A1	ECN-170506	增加導電銅箔的位置示意圖	Joyce 05/12/17	Lucas 05/12/17	Ray 05/12/17

Notes: (Unless Otherwise Specified)

1. Waterproof Rate: IP67.
2. Recommend Panel Thickness: 0.8 to 6.0 mm.
3. Recommend Torque: 14~15 Kgf-cm.
4. Mating Cap P/N: GT1C5331X2.
5. RoHS & REACH Compliant.



USB3.0兩對線鋁箔跟PCB板距離2~3mm
編織需跟雙面導電銅箔導通跟PCB板距離4~5mm



Recommend Panel Cut-Out

1	Red	1
2	White	2
3	Green	3
4	Black	4
8	Blue	5
9	Yellow	6
7	Drain	7
5	Purple	8
6	Orange	9
Shell	Braid	Shell

Conn. Plug

Wiring Diagram



GT118300-09-02	2000 mm	+100
GT118300-09-01	1000 mm	+50
GT118300-09-29	900 mm	+50
GT118300-09-28	800 mm	+50
GT118300-09-27	700 mm	+50
GT118300-09-26	600 mm	+50
GT118300-09-25	500 mm	+50
GT118300-09-24	400 mm	+50
GT118300-09-23	300 mm	+25
GT118300-09-22	200 mm	+25
Part No.	Cable Length	Tol.

5	Shrink Tube	L=25mm, Heat Shrink Tube With Adhesive Lined Color: Black	1
4	Over Mold	PVC Color: Black	1
3	USB-B 3.0 Plug	Housing: Thermoplastic, Color: Blue Contacts: Copper Alloy, Finish: Au Plated Shell: SPCC, Finish: Ni Plated	1
2	Cable	UL2725 (1P*28AWGEM)*2+(1PR*28AWG+A)+2C*22AWG+AB 85% Color: Black, OD=5.5mm	1
1	USB-A 3.0 C3 Panel Jack	GT Contact P/N: GT118300-01-XX	1
Item	Part Name	Material / Finish	Q'ty

TITLE USB-A 3.0 Plastic C3 Panel Jack Screw With USB-B 3.0 Plug Cross Wire						DRAWING NUMBER GT118300-09-XX			REV. A1	
	B	1:1	Lucas 12/01/16	Ray 12/01/16	Ray 12/01/16	X.X ± 0.5 X.XX ± 0.2	X.XXX ± 0.05 ANGLES ± 1°	mm	1/1	
THIRD ANGLE PROJECTION	SIZE	SCALE	DRAW / DATE	CHECK / DATE	APPROVE / DATE	TOLERANCES		UNIT	SHEET	

GT Contact CO.,LTD

NOTICE OF PROPRIETARY PROPERTY:
THE INFORMATION CONTAINED HEREIN IS THE PROPRIETARY PROPERTY OF GT CONTACT CO.,LTD THE POSSESSOR AGREES TO THE FOLLOWING:
(a) TO MAINTAIN THIS DOCUMENT IN CONFIDENCE
(b) NOT TO REPRODUCE OR COPY IT
(c) NOT TO REVEAL OR PUBLISH IT IN WHOLE OR PART
(d) ALL RIGHTS RESERVED