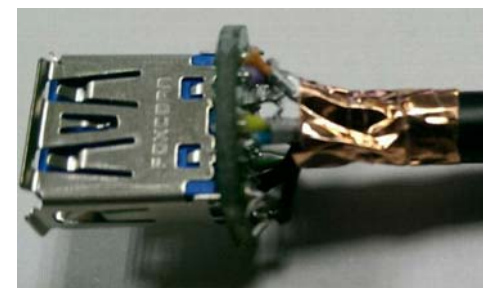
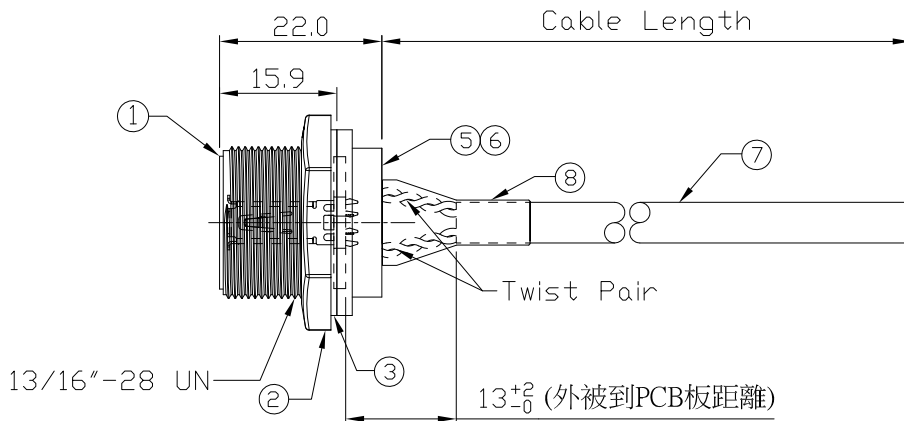
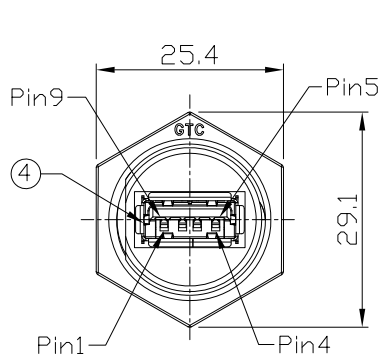


Notes: (Unless Otherwise Specified)

- 1. Waterproof Rate: IP67.
- 2. Recommend Panel Thickness: 0.8 to 6.0 mm.
- 3. Recommend Torque: 14~15 Kgf-cm.
- 4. Mating Cap P/N: GT1C5331X2.
- 5. RoHS & REACH Compliant.

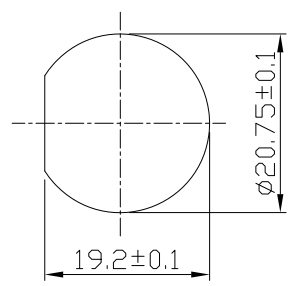
GTC  
 DOC.CENTER.ISSUE  
 MAY.12.2017  
 ONLY FOR  
 RELEASE

REV	ECN#	DESCRIPTION OF REVISION	DRAW BY DATE	CHECK BY DATE	APPROVE BY DATE
A5	ECN-170506	增加導電銅箔的位置示意圖 Heat Shrink Tube With Adhesive Lined	Joyce 05/12/17	Lucas 05/12/17	Ray 05/12/17



USB3.0兩對線鋁箔跟PCB板距離2~3mm  
 編織需跟雙面導電銅箔導通跟PCB板距離4~5mm

Item	Part Name	Material / Finish	Q'ty
8	Shrink Tube	L=25mm, Heat Shrink Tube With Adhesive Lined Color: Black	1
7	Cable	UL2725 (1P*28AWGEAM)*2+(1PR*28AWG+A)+2C*22AWG+AB 85% Color: Black, OD=5.5mm	1
6	Glue	Epoxy Color: Black	
5	PCB	FR-4 Color: —	1
4	USB-A 3.0 Receptacle	Housing: Thermoplastic, Color: Blue Contacts: Copper Alloy, Finish: Au Plated Shell: Copper Alloy, Finish: Ni Plated	1
3	Gasket	Silicone Color: Black	1
2	Hex Nut	Thermoplastic Color: Black	1
1	Housing	Thermoplastic Color: Black	1



Recommend  
 Panel Cut-Out

Red	1
White	2
Green	3
Black	4
Blue	5
Yellow	6
Drain	7
Purple	8
Orange	9
Braid	Shell

Wiring Diagram

GT118300-01-02	2000 mm	±100
GT118300-01-01	1000 mm	±50
GT118300-01-29	900 mm	±40
GT118300-01-28	800 mm	±40
GT118300-01-27	700 mm	±40
GT118300-01-26	600 mm	±40
GT118300-01-25	500 mm	±40
GT118300-01-24	400 mm	±20
GT118300-01-23	300 mm	±20
GT118300-01-22	200 mm	±10
GT118300-01-21	100 mm	±10
Part No.	Cable Length	Tol.

GT Contact CO.,LTD

NOTICE OF PROPRIETARY PROPERTY:  
 THE INFORMATION CONTAINED HEREIN IS THE PROPRIETARY PROPERTY OF GT CONTACT CO.,LTD THE POSSESSOR AGREES TO THE FOLLOWING:  
 (a) TO MAINTAIN THIS DOCUMENT IN CONFIDENCE  
 (b) NOT TO REPRODUCE OR COPY IT  
 (c) NOT TO REVEAL OR PUBLISH IT IN WHOLE OR PART  
 (d) ALL RIGHTS RESERVED

TITLE						DRAWING NUMBER			REV.
USB-A 3.0 Plastic C3 Panel Jack Screw With Cable						GT118300-01-XX			A5
	B	1:1	Joyce 03/27/13	Lucas 03/27/13	Ray 03/27/13	X.X ± 0.5 X.XX ± 0.2	X.XXX ± 0.05 ANGLES ± 1°	mm	1/1
THIRD ANGLE PROJECTION	SIZE	SCALE	DRAW / DATE	CHECK / DATE	APPROVE / DATE	TOLERANCES		UNIT	SHEET