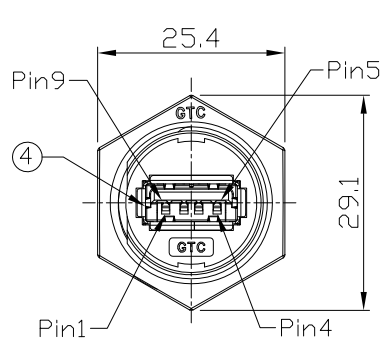


Notes: (Unless Otherwise Specified)

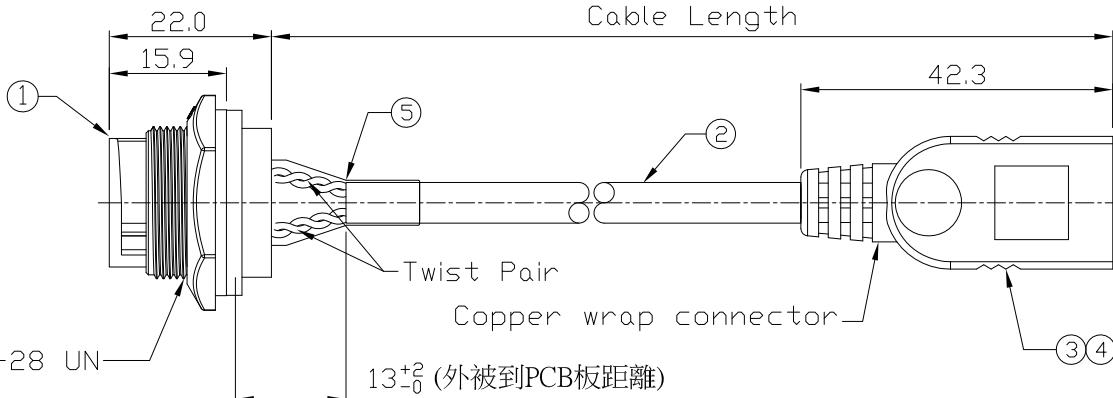
- 1. Waterproof Rate: IP67.
- 2. Recommend Panel Thickness: 0.8 to 5.0 mm.
- 3. Recommend Torque: 14~15 Kgf-cm.
- 4. Mating Cap P/N: GT1C1310X2.
- 5. RoHS Compliant.

REV	ECN#	DESCRIPTION OF REVISION	DRAW BY DATE	CHECK BY DATE	APPROVE BY DATE
01			Lucas 07/04/17	Lucas 07/04/17	Ray 07/04/17

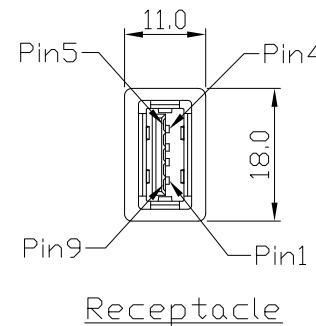
GTC  
DOC.CENTER.ISSUE  
JUL.04.2017  
ONLY FOR  
RELEASE



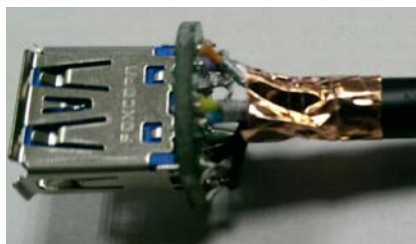
Conn. 13/16"-28 UN



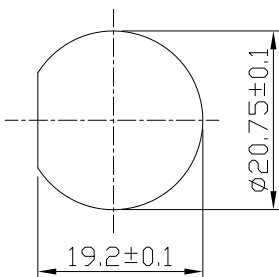
13<sup>+2</sup><sub>0</sub> (外被到PCB板距離)



Receptacle



USB3.0兩對線鋁箔跟PCB板距離2~3mm  
編織需跟雙面導電銅箔導通跟PCB板距離4~5mm



Recommend Panel Cut-Out

1	Red	1
2	White	2
3	Green	3
4	Black	4
5	Blue	5
6	Yellow	6
7	Drain	7
8	Purple	8
9	Orange	9
Shell	Braid	Shell

Conn. Receptacle Wiring Diagram

Part No.	Cable Length	Tol.
GT118200-03-02	2000 mm	+100
GT118200-03-01	1000 mm	+50
GT118200-03-29	900 mm	+50
GT118200-03-28	800 mm	+50
GT118200-03-27	700 mm	+50
GT118200-03-26	600 mm	+50
GT118200-03-25	500 mm	+50
GT118200-03-24	400 mm	+50
GT118200-03-23	300 mm	+25
GT118200-03-22	200 mm	+25
GT118200-03-21	100 mm	+25

Item	Part Name	Material / Finish	Q'ty
5	Shrink Tube	L=25mm, Heat Shrink Tube With Adhesive Lined Color: Black	1
4	Over Mold	PVC Color: Black	1
3	USB-A 3.0 Receptacle	Housing: Thermoplastic, Color: Blue Contacts: Copper Alloy, Finish: Au Plated Shell: Copper Alloy, Finish: Au Plated	1
2	Cable	UL2725 (1P*28AWG+EAM)*2+(1PR*28AWG+A)+2C*22AWG+AB 85% Color: Black, OD=5.5mm	1
1	USB-A 3.0 C3 Panel Jack	GT Contact P/N: GT118200-01-XX	1

TITLE						DRAWING NUMBER			REV.
USB-A 3.0 Plastic C3 Panel Jack Lock With USB-A 3.0 Receptacle						GT118200-03-XX			01
THIRD ANGLE PROJECTION	SIZE	SCALE	DRAW / DATE	CHECK / DATE	APPROVE / DATE	TOLERANCES		UNIT	SHEET
	B	1:1	Lucas 07/04/17	Ray 07/04/17	Ray 07/04/17	X.X ± 0.5 X.XX ± 0.2	X.XXX ± 0.05 ANGLES ± 1°	mm	1/1

GT Contact CO.,LTD

NOTICE OF PROPRIETARY PROPERTY:

THE INFORMATION CONTAINED HEREIN IS THE PROPRIETARY PROPERTY OF GT Contact CO.,LTD THE POSSESSOR AGREES TO THE FOLLOWING:

(i) TO MAINTAIN THIS DOCUMENT IN CONFIDENCE

(ii) NOT TO REPRODUCE OR COPY IT

(iii) NOT TO REVEAL OR PUBLISH IT IN WHOLE OR PART

(iv) ALL RIGHTS RESERVED