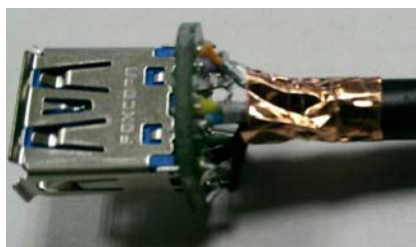
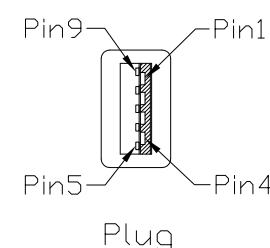
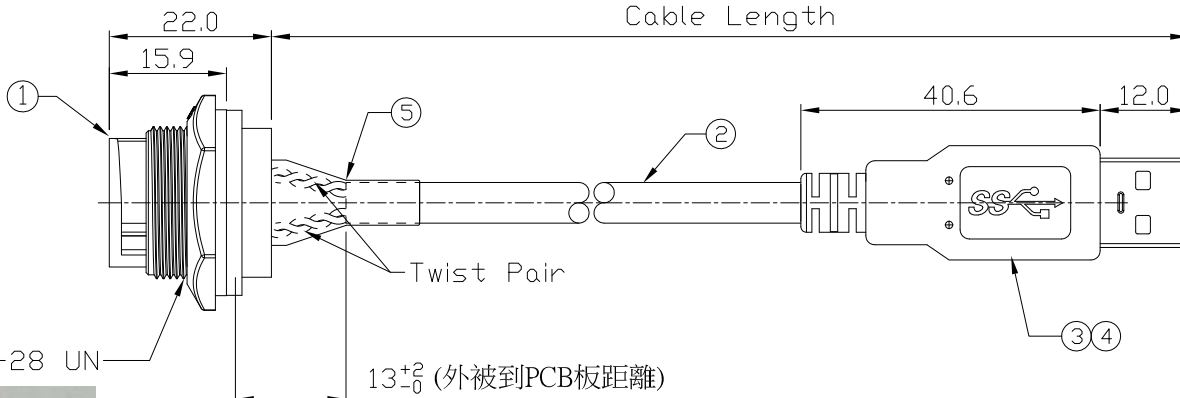
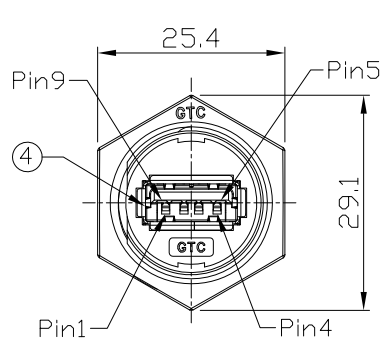
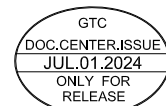


Notes: (Unless Otherwise Specified)

- 1. Waterproof Rate: IP67.
- 2. Recommend Panel Thickness: 0.8 to 5.0 mm.
- 3. Recommend Torque: 14~15 Kgf-cm.
- 4. Mating Cap P/N: GT1C1310X2.
- 5. RoHS Compliant.

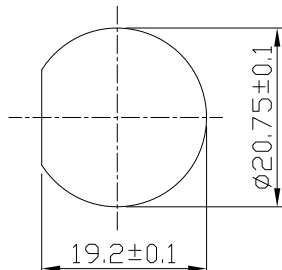
REV	ECN#	DESCRIPTION OF REVISION	DRAW BY DATE	CHECK BY DATE	APPROVE BY DATE
A0	ECN-240625	STEEL WITH NICKEL PALTED=>STEEL WITH Au PALTED	Lucas 06/26/24	Lucas 06/26/24	Ray 06/26/24



USB3.0兩對線鋁箔跟PCB板距離2~3mm
編織需跟雙面導電銅箔導通跟PCB板距離4~5mm

1	Red	1
2	White	2
3	Green	3
4	Black	4
5	Blue	5
6	Yellow	6
7	Drain	7
8	Purple	8
9	Orange	9
Shell	Braid	Shell

Part No.	Cable Length	Tol.
GT118200-02-03	3000 mm	+100
GT118200-02-02	2000 mm	+100
GT118200-02-01	1000 mm	+50
GT118200-02-29	900 mm	+50
GT118200-02-28	800 mm	+50
GT118200-02-27	700 mm	+50
GT118200-02-26	600 mm	+50
GT118200-02-25	500 mm	+50
GT118200-02-24	400 mm	+50
GT118200-02-23	300 mm	+25
GT118200-02-22	200 mm	+25
GT118200-02-21	100 mm	+25



Recommend Panel Cut-Out

Wiring Diagram

Item	Part Name	Material / Finish	Q'ty
5	Shrink Tube	L=25mm, Heat Shrink Tube With Adhesive Lined Color: Black	1
4	Over Mold	PVC Color: Black	1
3	USB-A 3.0 Plug	Housing: Thermoplastic, Color: Blue Contacts: Copper Alloy, Finish: Au Plated Shell: SPCC, Finish: Au Plated	1
2	Cable	UL2725 (1P*28AWG+EAM)*2+(1PR*28AWG+A)+2C*22AWG+AB 85% Color: Black, OD=5.5mm	1
1	USB-A 3.0 C3 Panel Jack	GT Contact P/N: GT118200-01-XX	1

TITLE USB-A 3.0 Plastic C3 Panel Jack Lock With USB-A 3.0 Plug						DRAWING NUMBER GT118200-02-XX			REV. A0	
THIRD ANGLE PROJECTION	SIZE B	SCALE 1:1	DRAW / DATE Lucas 07/04/17	CHECK / DATE Ray 07/04/17	APPROVE / DATE Ray 07/04/17	TOLERANCES X.X ± 0.5 X.XX ± 0.2	ANGLES X.XXX ± 0.05 ± 1°	UNIT mm	SHEET 1/1	

GT Contact CO.,LTD

NOTICE OF PROPRIETARY PROPERTY:
THE INFORMATION CONTAINED HEREIN IS THE PROPRIETARY PROPERTY OF GT CONTACT CO.,LTD THE POSSESSOR AGREES TO THE FOLLOWING:
(i) TO MAINTAIN THIS DOCUMENT IN CONFIDENCE
(ii) NOT TO REPRODUCE OR COPY IT
(iii) NOT TO REVEAL OR PUBLISH IT IN WHOLE OR PART
(iv) ALL RIGHTS RESERVED