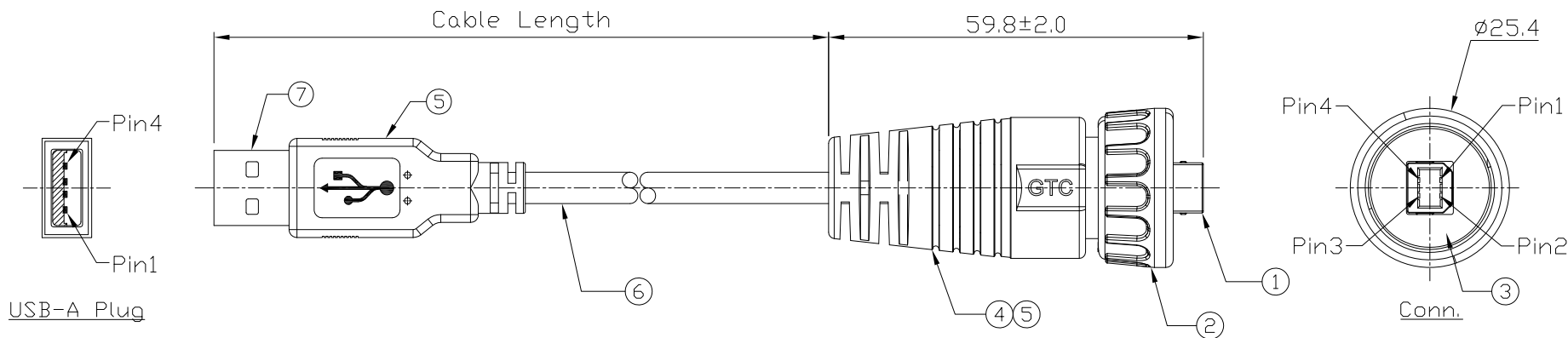


REV	ECN#	DESCRIPTION OF REVISION	DRAW BY DATE	CHECK BY DATE	APPROVE BY DATE
A0		Mass Production	Joyce 03/27/13	Lucas 03/27/13	Ray 03/27/13

Notes: (Unless Otherwise Specified)
 1. Waterproof Rate: IP67.
 2. RoHS Compliant.



GTC
 DOC.CENTER.ISSUE
 MAR.29.2013
 ONLY FOR
 RELEASE

7	USB-A Plug	Housing: Thermoplastic, Color: Black Contacts: Copper Alloy, Finish: Au Plated Shell: Cold Roll Steel, Finish: Ni Plated	1
6	Cable	UL2725 28AWG*1P+24AWG*2C+D+B+Al/My, OD=5.0mm Color: Black	1
5	Over Mold	PVC Color: Black	2
4	Inner Mold	Thermoplastic Color: Black	1
3	Rubber Pad	Silicone Color: Black	1
2	Screw Nut	Thermoplastic Color: Black	1
1	USB-B Plug	Housing: Thermoplastic, Color: Black Contacts: Copper Alloy, Finish: Au Plated Shell: Cold Roll Steel, Finish: Ni Plated	1
Item	Part Name	Material / Finish	Q'ty



Wiring Diagram

GT117320-05-10	10000 mm	±450
GT117320-05-09	9000 mm	±450
GT117320-05-08	8000 mm	±400
GT117320-05-07	7000 mm	±350
GT117320-05-06	6000 mm	±300
GT117320-05-05	5000 mm	±250
GT117320-05-04	4000 mm	±200
GT117320-05-03	3000 mm	±150
GT117320-05-02	2000 mm	±100
GT117320-05-01	1000 mm	±50
GT117320-05-29	900 mm	±40
GT117320-05-28	800 mm	±40
GT117320-05-27	700 mm	±40
GT117320-05-26	600 mm	±40
GT117320-05-25	500 mm	±40
Part No.	Cable Length	Tol.

GT Contact CO.,LTD
 NOTICE OF PROPRIETARY PROPERTY:
 THE INFORMATION CONTAINED HEREIN IS THE PROPRIETARY PROPERTY OF GT Contact CO.,LTD THE POSSESSOR AGREES TO THE FOLLOWING:
 (1) TO MAINTAIN THIS DOCUMENT IN CONFIDENCE
 (2) NOT TO REPRODUCE OR COPY IT
 (3) NOT TO REVEAL OR PUBLISH IT IN WHOLE OR PART
 (4) ALL RIGHTS RESERVED

TITLE USB-B Plastic C3 Cable End Plug Screw With Cable + USB-A Plug						DRAWING NUMBER GT117320-05-XX			REV. A0	
THIRD ANGLE PROJECTION		SIZE	SCALE	DRAW / DATE	CHECK / DATE	APPROVE / DATE	TOLERANCES		UNIT	SHEET
DO NOT SCALE DRAWINGS		B	1:1	Joyce 03/27/13	Lucas 03/27/13	Ray 03/27/13	X.X ± 0.5 X.XX ± 0.2	X.XXX ± 0.05 ANGLES ± 1°	mm	1/1