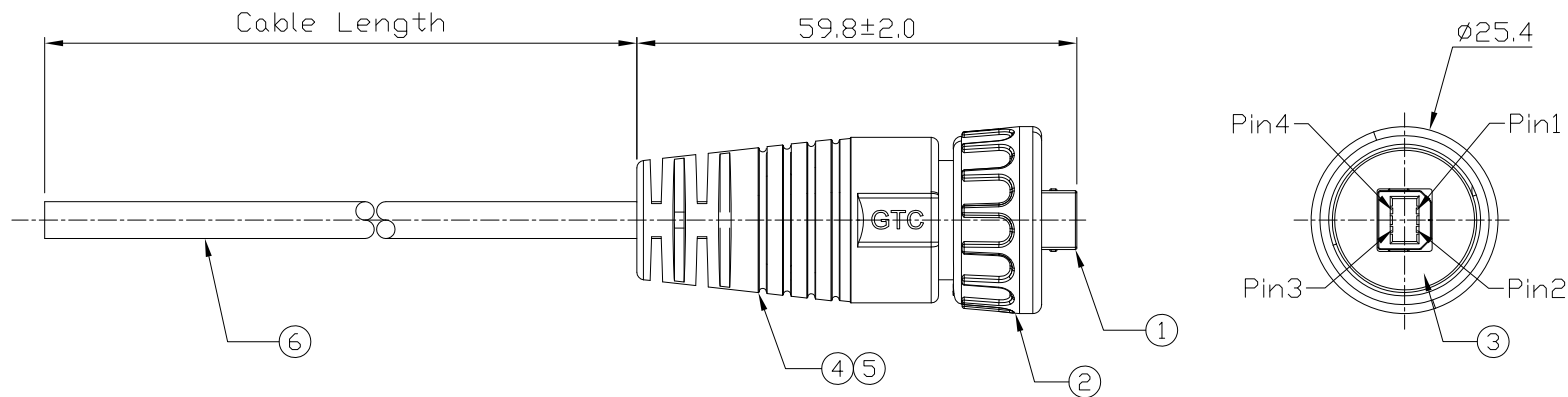


REV	ECN#	DESCRIPTION OF REVISION	DRAW BY DATE	CHECK BY DATE	APPROVE BY DATE
A0	ECN-130120	Mass Production	Lucas 01/30/13	Ray 01/30/13	Ray 01/30/13

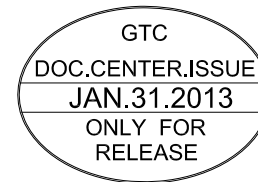
Notes: (Unless Otherwise Specified)
 1. Waterproof Rate : IP67.
 2. RoHS Compliant.



6	Cable	UL2725 28AWG*1P+24AWG*2C+D+B+Al/My, OD=5.0mm Color: Black	1
5	Over Mold	PVC Color: Black	1
4	Inner Mold	Thermoplastic Color: Black	1
3	Rubber Pad	Silicone Color: Black	1
2	Screw Nut	Thermoplastic Color: Black	1
1	USB-B Plug	Contacts: Copper Alloy Finish: Au Plated	1
		Shell: Copper Alloy Finish: Ni Plated	3
		Housing: Thermoplastic Color: Black	1
Item	Part Name	Material / Finish	Q'ty

1	Red
2	White
3	Green
4	Black
Shell	Drain

Wiring Diagram



GT117320-01-10	10000 mm	±500
GT117320-01-09	9000 mm	±450
GT117320-01-08	8000 mm	±400
GT117320-01-07	7000 mm	±350
GT117320-01-06	6000 mm	±300
GT117320-01-05	5000 mm	±250
GT117320-01-04	4000 mm	±200
GT117320-01-03	3000 mm	±150
GT117320-01-02	2000 mm	±100
GT117320-01-01	1000 mm	±50
GT117320-01-Z5	500 mm	±40
Part No.	Cable Length	Tol.

GT Contact CO.,LTD

NOTICE OF PROPRIETARY PROPERTY:
 THE INFORMATION CONTAINED HEREIN IS THE PROPRIETARY PROPERTY OF GT Contact CO.,LTD THE POSSESSOR AGREES TO THE FOLLOWING:
 (1) TO MAINTAIN THIS DOCUMENT IN CONFIDENCE
 (2) NOT TO REPRODUCE OR COPY IT
 (3) NOT TO REVEAL OR PUBLISH IT IN WHOLE OR PART
 (4) ALL RIGHTS RESERVED

TITLE USB-B Plastic C3 Cable end Plug Screw						DRAWING NUMBER GT117320-01-XX			REV. A0	
THIRD ANGLE PROJECTION		SIZE	SCALE	DRAW / DATE	CHECK / DATE	APPROVE / DATE	TOLERANCES		UNIT	SHEET
		B	1:1	David 03/31/10	Ray 03/31/10	Ray 03/31/10	X.X ± 0.5 X.XX ± 0.2	X.XXX ± 0.05 ANGLES ± 1°	mm	1/1