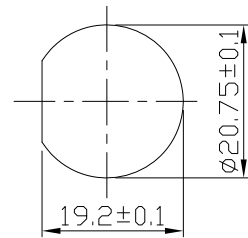


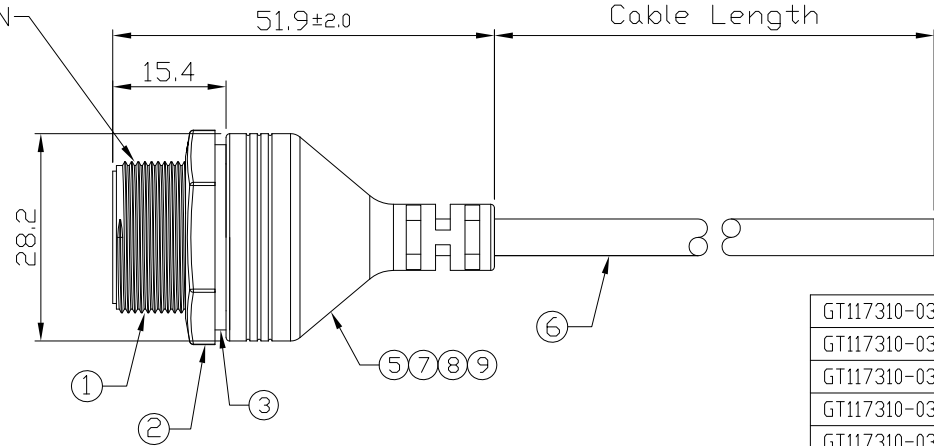
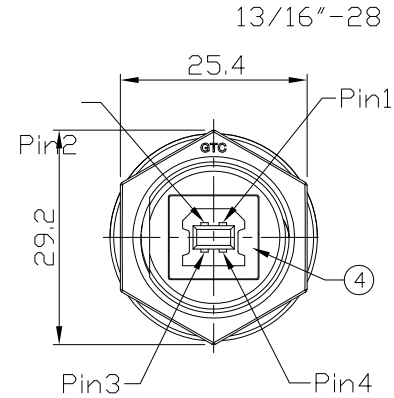
Notes: (Unless Otherwise Specified)

1. Waterproof Rate: IP67.
2. Recommend Panel Thickness: 0.8 to 6.0 mm.
3. Recommend Torque: 14~15 Kgf-cm.
4. Mating Cap P/N: GT1C5331X2.
5. RoHS Compliant.

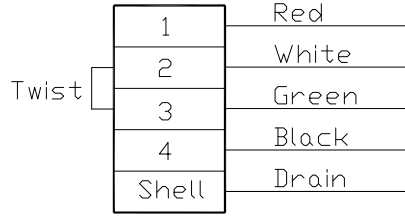
REV	ECN#	DESCRIPTION OF REVISION	DRAW BY DATE	CHECK BY DATE	APPROVE BY DATE
01			Joyce 05/31/16	Lucas 05/31/16	Ray 05/31/16



Recommend Panel Cut-Out



Item	Part Name	Material / Finish	Qty
9	Glue	Epoxy Color: Black	
8	Over Mold	PVC Color: Black	1
7	Inner Mold	Thermoplastic Color: Black Or White	1
6	Cable	UL2725 1P*28AWG+2C*24AWG+Al/My+D+B OD=5.0mm, Color: Black	1
5	PCB	FR-4 Color: -	1
4	USB-A Receptacle	Housing: Thermoplastic, Color: White	1
		Contacts: Copper Alloy, Finish: Gold Flash	
		Shell: SPCC, Finish: Ni Plated	
3	Gasket	Silicone Color: Black	1
2	Hex Nut	Thermoplastic Color: Black	1
1	Housing	Thermoplastic Color: Black	1



Wiring Diagram

GTC  
R&D DEPT. ISSUE  
MAY.31.2016  
ONLY FOR  
RELEASE

GT117310-03-10	10000 mm	+500
GT117310-03-09	9000 mm	+450
GT117310-03-08	8000 mm	+400
GT117310-03-07	7000 mm	+150
GT117310-03-06	6000 mm	+150
GT117310-03-05	5000 mm	+150
GT117310-03-04	4000 mm	+150
GT117310-03-03	3000 mm	+100
GT117310-03-02	2000 mm	+100
GT117310-03-01	1000 mm	+50
GT117310-03-Z9	900 mm	+50
GT117310-03-Z8	800 mm	+50
GT117310-03-Z7	700 mm	+50
GT117310-03-Z6	600 mm	+50
GT117310-03-Z5	500 mm	+50
GT117310-03-Z4	400 mm	+50
GT117310-03-Z3	300 mm	+25
GT117310-03-Z2	200 mm	+25

Part No.	Cable Length	Tol.
----------	--------------	------

TITLE						DRAWING NUMBER			REV.	
USB-B Plastic C3 Cable To Cable Jack Screw With Cable						GT117310-03-XX			01	
THIRD ANGLE PROJECTION	SIZE	SCALE	DRAW / DATE	CHECK / DATE	APPROVE / DATE	TOLERANCES		UNIT	SHEET	
	B	1:1	Joyce 05/31/16	Lucas 05/31/16	Ray 05/31/16	XX ± 0.5 X.XX ± 0.2	XXX ± 0.05 ANGLES ± 1°	mm	1/1	

GT Contact CO.,LTD

NOTICE OF PROPRIETARY PROPERTY:  
THE INFORMATION CONTAINED HEREIN IS THE PROPRIETARY PROPERTY OF GT Contact CO.,LTD THE POSSESSOR AGREES TO THE FOLLOWING:  
(A) TO MAINTAIN THIS DOCUMENT IN CONFIDENCE  
(B) NOT TO REPRODUCE OR COPY IT  
(C) NOT TO REVEAL OR PUBLISH IT IN WHOLE OR PART  
(D) ALL RIGHTS RESERVED