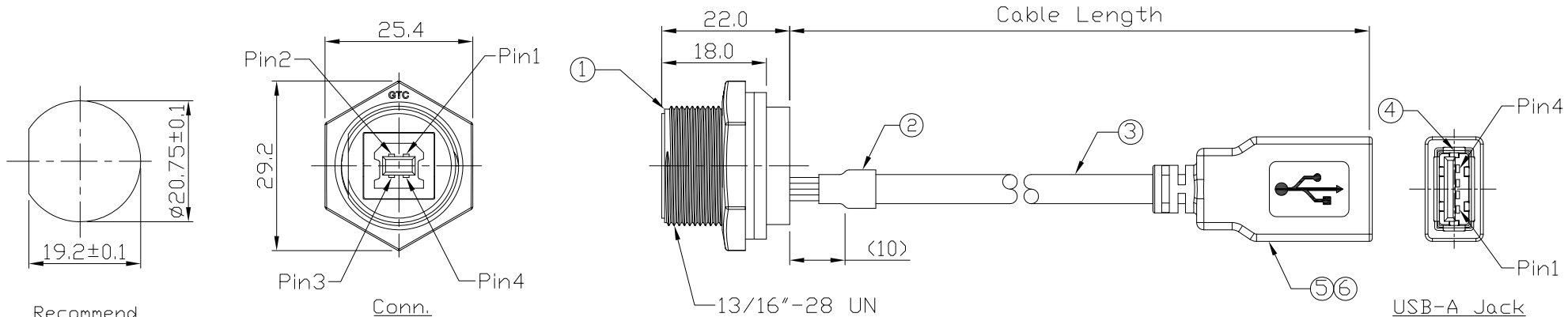


Notes: (Unless Otherwise Specified)

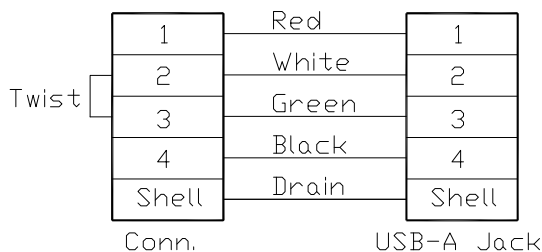
- 1. Waterproof Rate: IP67.
- 2. Recommend Panel Thickness: 0.8 to 6.0 mm.
- 3. Recommend Torque: 14~15 Kgf-cm.
- 4. Mating Cap P/N: GT1C5331X2.
- 5. RoHS Compliant.

REV	ECN#	DESCRIPTION OF REVISION	DRAW BY DATE	CHECK BY DATE	APPROVE BY DATE
A0		Mass Production	Joyce 03/27/13	Lucas 03/27/13	Ray 03/27/13
A1	ECN-140805	Modify Item 2, Shrink Tube L=10mm to 20mm <sup>AI</sup>	Joyce 08/07/14	Lucas 08/07/14	Ray 08/07/14

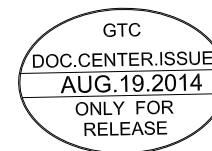


Recommend Panel Cut-Out

6	Over Mold	PVC Color: Black	1
5	Inner Mold	Thermoplastic Color: Black Or White	1
4	USB-A Receptacle	Housing: Thermoplastic, Color: White	1
		Contacts: Copper Alloy, Finish: Gold Flash	
		Shell: SPCC, Finish: Ni Plated	
3	Cable	UL2725 1P*28AWG+2C*24AWG+Al/My+D+B OD=5.0mm, Color: Black	1
2	Shrink Tube	L=20mm Color: Black	1 <sup>AI</sup>
1	GT117300-03-XX	USB-B Plastic C3 Panel Jack Screw With Cable	1
Item	Part Name	Material / Finish	Qty



Wiring Diagram



GT117300-06-01	1000 mm	±50
GT117300-06-Z9	900 mm	±40
GT117300-06-Z8	800 mm	±40
GT117300-06-Z7	700 mm	±40
GT117300-06-Z6	600 mm	±40
GT117300-06-Z5	500 mm	±40
GT117300-06-Z4	400 mm	±20
GT117300-06-Z3	300 mm	±20
GT117300-06-Z2	200 mm	±10
GT117300-06-Z1	100 mm	±10
Part No.	Cable Length	Tol.

GT Contact CO.,LTD

NOTICE OF PROPRIETARY PROPERTY:

THE INFORMATION CONTAINED HEREIN IS THE PROPRIETARY PROPERTY OF GT Contact CO.,LTD THE POSSESSOR AGREES TO THE FOLLOWING:

- (A) TO MAINTAIN THIS DOCUMENT IN CONFIDENCE
- (B) NOT TO REPRODUCE OR COPY IT
- (C) NOT TO REVEAL OR PUBLISH IT IN WHOLE OR PART
- (D) ALL RIGHTS RESERVED

TITLE						DRAWING NUMBER			REV.	
USB-B Plastic C3 Panel Jack Screw With Cable + USB-A Receptacle						GT117300-06-XX			A1	
	B	1:1	Joyce 03/27/13	Lucas 03/27/13	Ray 03/27/13	XX ± 0.5 X.XX ± 0.2	XXX ± 0.05 ANGLES ± 1°	mm	1/1	
THIRD ANGLE PROJECTION	SIZE	SCALE	DRAW / DATE	CHECK / DATE	APPROVE / DATE	TOLERANCES		UNIT	SHEET	