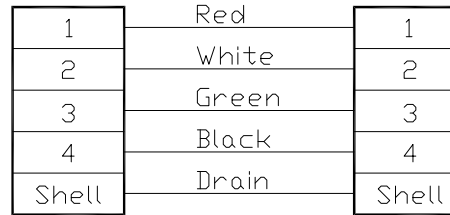
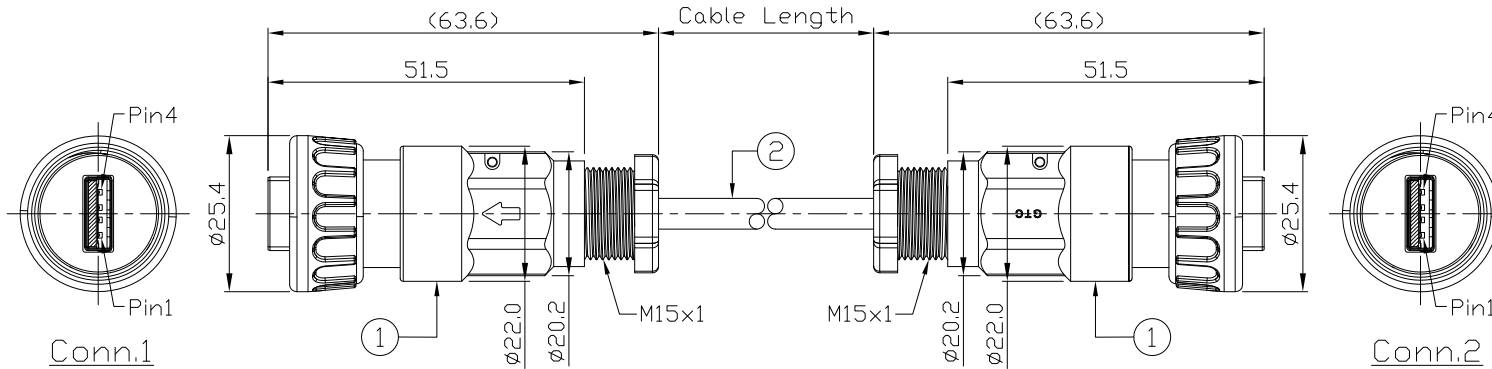


Notes: (Unless Otherwise Specified)

1. Waterproof Rate: Unmated IP67.
2. Recommend Cover Torque: 6~7 Kgf-cm.
3. Recommend Gland Nut Torque: 9~10 Kgf-cm.
4. RoHS Compliant.

REV	ECN#	DESCRIPTION OF REVISION	DRAW BY DATE	CHECK BY DATE	APPROVE BY DATE
A0			Aileen 02/25/22	Lucas 02/25/22	Ray 02/25/22



Part No.	Cable Length	Tol.
GT116370-0M-10	10000 mm	+500
GT116370-0M-09	9000 mm	+450
GT116370-0M-08	8000 mm	+400
GT116370-0M-07	7000 mm	+150
GT116370-0M-06	6000 mm	+150
GT116370-0M-05	5000 mm	+150
GT116370-0M-04	4000 mm	+150
GT116370-0M-03	3000 mm	+100
GT116370-0M-02	2000 mm	+100
GT116370-0M-01	1000 mm	+50
GT116370-0M-Z9	900 mm	+50
GT116370-0M-Z8	800 mm	+50
GT116370-0M-Z7	700 mm	+50
GT116370-0M-Z6	600 mm	+50
GT116370-0M-Z5	500 mm	+50
GT116370-0M-Z4	400 mm	+50
GT116370-0M-Z3	300 mm	+25
GT116370-0M-Z2	200 mm	+25

Item	Part Name	Material / Finish	Q'ty
2	Cable	UL2725 1P*28AWG+2C*24AWG+Al/My+D+B OD=5.0mm, Color: Black	1
1	USB-A Plastic C3 Field Installable Cable End Plug Screw	GT Contact P/N: GT116370-00	2

TITLE						DRAWING NUMBER			REV.	
Dual USB-A Plastic C3 Field Installable Cable End Plug Screw						GT116370-0M-XX			A0	
THIRD ANGLE PROJECTION	SIZE	SCALE	DRAW / DATE	CHECK / DATE	APPROVE / DATE	TOLERANCES		UNIT	SHEET	
	B	1:1	Aileen 02/25/22	Lucas 02/25/22	Ray 02/25/22	X.X ± 0.5 X.XX ± 0.2	X.XXX ± 0.05 ANGLES ± 1°	mm	1/1	

GT Contact CO.,LTD

NOTICE OF PROPRIETARY PROPERTY:  
THE INFORMATION CONTAINED HEREIN IS THE PROPRIETARY PROPERTY OF GT CONTACT CO.,LTD THE POSSESSOR AGREES TO THE FOLLOWING:  
(i) NOT TO REPRODUCE OR COPY IT  
(ii) NOT TO REVEAL OR PUBLISH IT IN WHOLE OR PART  
(iii) ALL RIGHTS RESERVED