

1

2

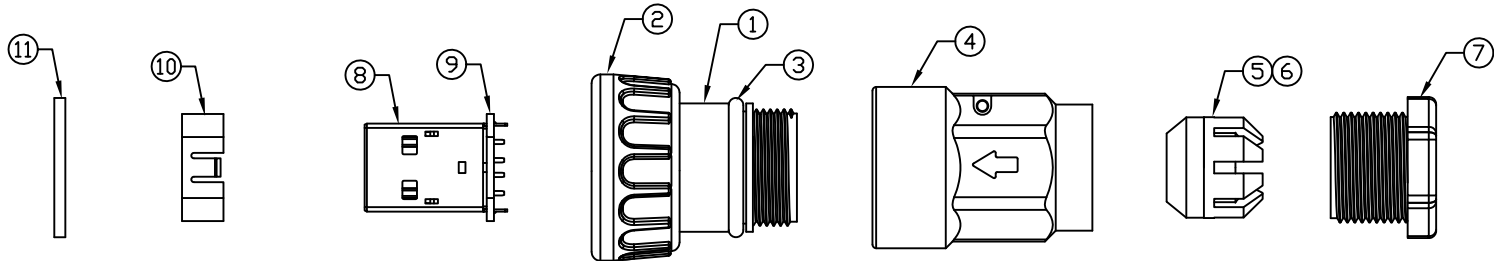
3

4

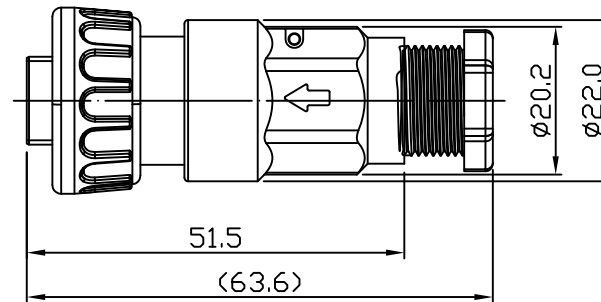
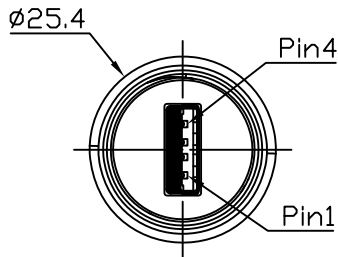
Notes: (Unless Otherwise Specified)

- 1. Waterproof Rate: IP67.
- 2. Suitable Cable \varnothing D=4.0mm To 6.0 mm.
- 3. Recommend Cover Torque: 6~7 Kgf-cm.
- 4. Recommend Gland Nut Torque: 9~10 Kgf-cm.
- 5. RoHS Compliant.

REV	ECN#	DESCRIPTION OF REVISION	DRAW BY DATE	CHECK BY DATE	APPROVE BY DATE
01			Hank 06/26/15	Lucas 06/26/15	Ray 06/26/15



11	Rubber Pad	Silicone Color: Black	1
10	Holder	Thermoplastic Color: Black	1
9	PCB	FR-4 Color: -	1
8	USB-A Plug	Housing: Thermoplastic, Color: Black Contacts: Copper Alloy, Finish: Au Plated Shell: Copper Alloy, Finish: Ni Plated	1
7	Gland Nut	Thermoplastic Color: Black	1
6	Cage	Thermoplastic Color: White	1
5	Gland	Silicone Color: Green	1
4	Cover	Thermoplastic Color: Black	1
3	O-Ring	Silicone Color: Red	1
2	Screw Nut	Thermoplastic Color: Black	1
1	Housing	Thermoplastic Color: Black	1
Item	Part Name	Material / Finish	Q'ty



GT Contact CO.,LTD

NOTICE OF PROPRIETARY PROPERTY:
THE INFORMATION CONTAINED HEREIN IS THE PROPRIETARY PROPERTY OF GT Contact CO.,LTD THE POSSESSOR AGREES TO THE FOLLOWING:
① TO MAINTAIN THIS DOCUMENT IN CONFIDENCE
② NOT TO REPRODUCE OR COPY IT
③ NOT TO REVEAL OR PUBLISH IT IN WHOLE OR PART
④ ALL RIGHTS RESERVED

TITLE						DRAWING NUMBER			REV.	
USB-A Plastic C3 Field Installable Cable End Screw						GT116370-00			01	
	B	1:1	Hank 06/26/15	Lucas 06/26/15	Ray 06/26/15	X.X ± 0.5 X.XX ± 0.2	X.XXX ± 0.05 ANGLES ± 1°	mm	1/1	
THIRD ANGLE PROJECTION	SIZE	SCALE	DRAW / DATE	CHECK / DATE	APPROVE / DATE	TOLERANCES		UNIT	SHEET	

1

2

3

4